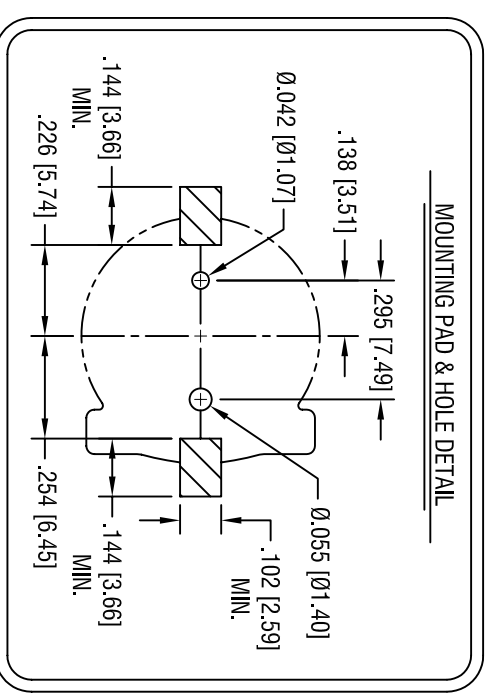
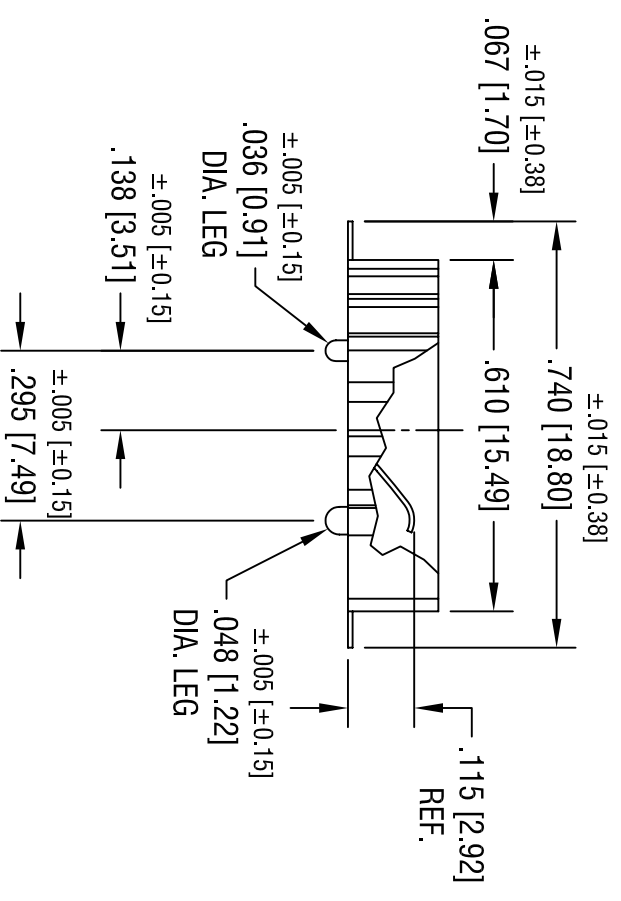
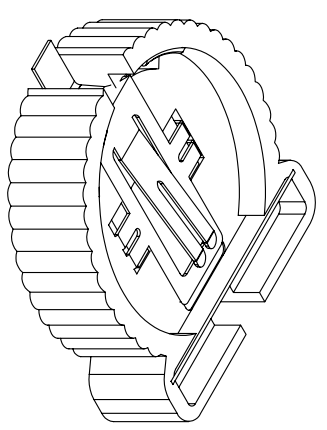
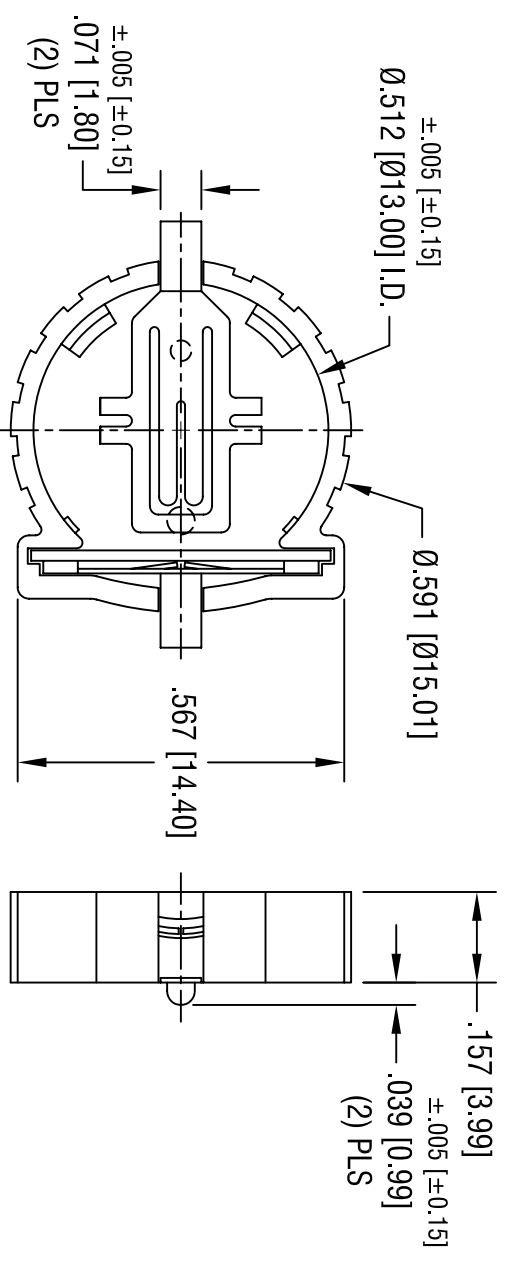


DATE	DESCRIPTION	REV.
12.08.08	CHANGE AS PER ECN 08-188	A



KEYSTONE ELECTRONICS CORP.
ASTORIA, N.Y. 11105-2017

PART NAME: 1220 BATTERY HOLDER, SMT
MATERIAL: AS NOTED

FINISH: AS NOTED
DRN BY: BOONE
DATE: 9.15.05

TOLERANCES	INCH	[MM]	CODE	DWG NO.
DECIMAL	± .010	[± 0.25]	C/M	1056
ANGULAR	± 1°			
UNLESS OTHERWISE SPECIFIED				

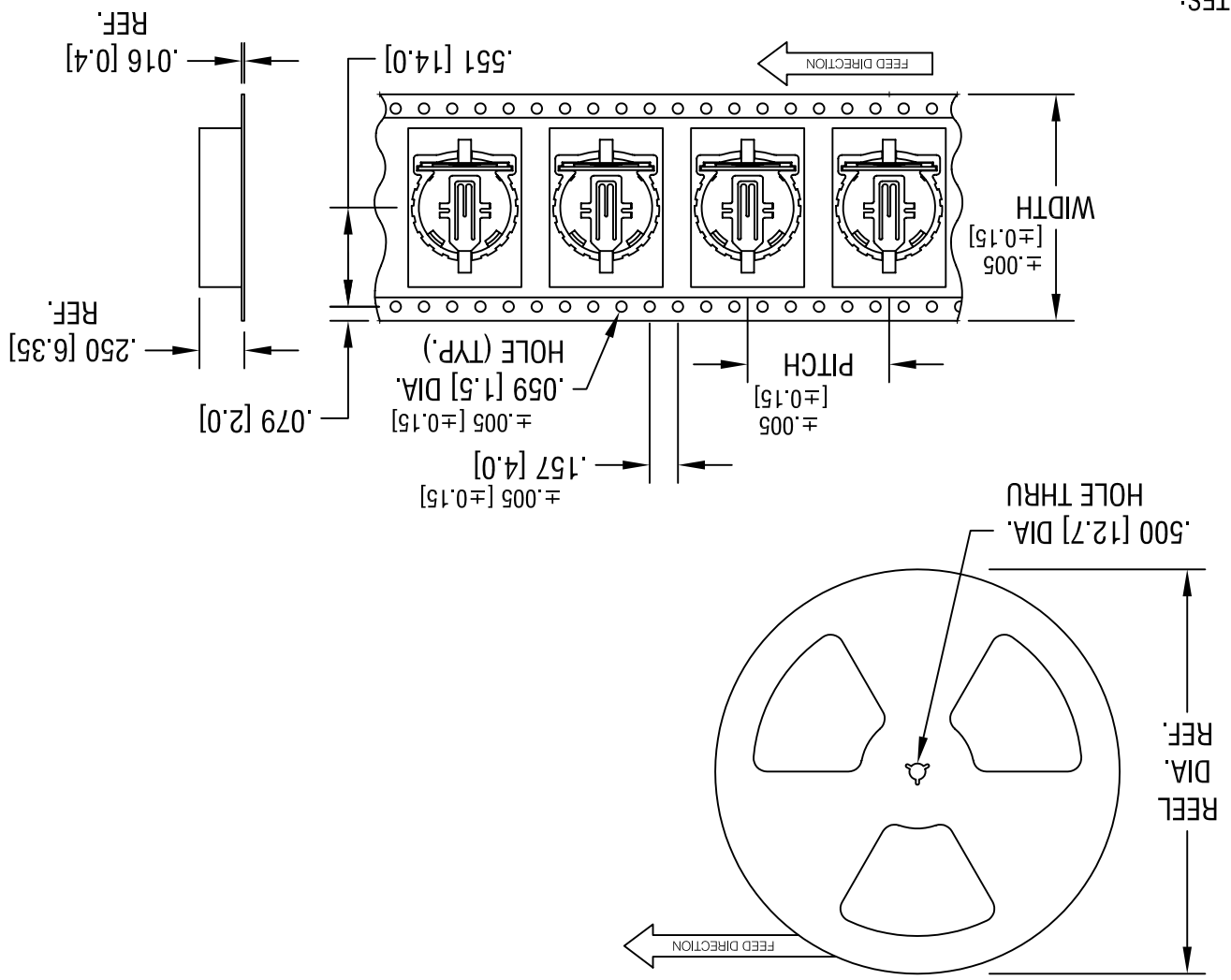
- NOTES:
1. BASE:
MAT'L - GLASS FILLED PPS UL 94V-0
 2. CONTACTS:
MAT'L - .008 [0.20] THK PHOSPHOR BRONZE
FINISH - GOLD FLASH , OVER NICKEL PLATE

THIS DOCUMENT IS THE PROPERTY OF KEYSTONE ELECTRONICS CORP. AND SHALL NOT BE REPRODUCED, DISTRIBUTED OR USED AS A BASIS FOR MANUFACTURE WITHOUT PRIOR WRITTEN PERMISSION FROM KEYSTONE ELECTRONICS CORP.

DATE		DESCRIPTION		REV.	TOLERANCES INCH ± .015 [± 0.38] DECIMAL UNLESS OTHERWISE SPECIFIED	
PART NO. 1056TR		C/M		DWG NO.		
FINISH		AS NOTED		DRN BY: BOONE		
MATERIAL		AS NOTED		App'd: LN		
PART NAME		1220mm SM COIN CELL HOLDER ON TAPE		SCALE: X		
ASTORIA, N.Y. 11105-2017		DATE: 6.18.07		KEYSTONE ELECTRONICS CORP.		

NOTES:

1. TAPE:
TAPES AND REEL SPECIFICATIONS:
MATERIAL - ALL CONDUCTIVE POLYSTYRENE CARRIER
ANSI/EIA-481 STANDARD
1.260 [32.0] WIDE; .787 [20.0] PITCH
2. REEL:
13.0 [330.2] DIA. 500 PIECES OF
PART NO. 1056 PER REEL.



THIS DOCUMENT IS THE PROPERTY OF
KEYSTONE ELECTRONICS CORP. AND
SHALL NOT BE REPRODUCED, DISTRIBUTED
OR USED AS A BASIS FOR MANUFACTURE
WITHOUT PRIOR WRITTEN PERMISSION
FROM KEYSTONE ELECTRONICS CORP.