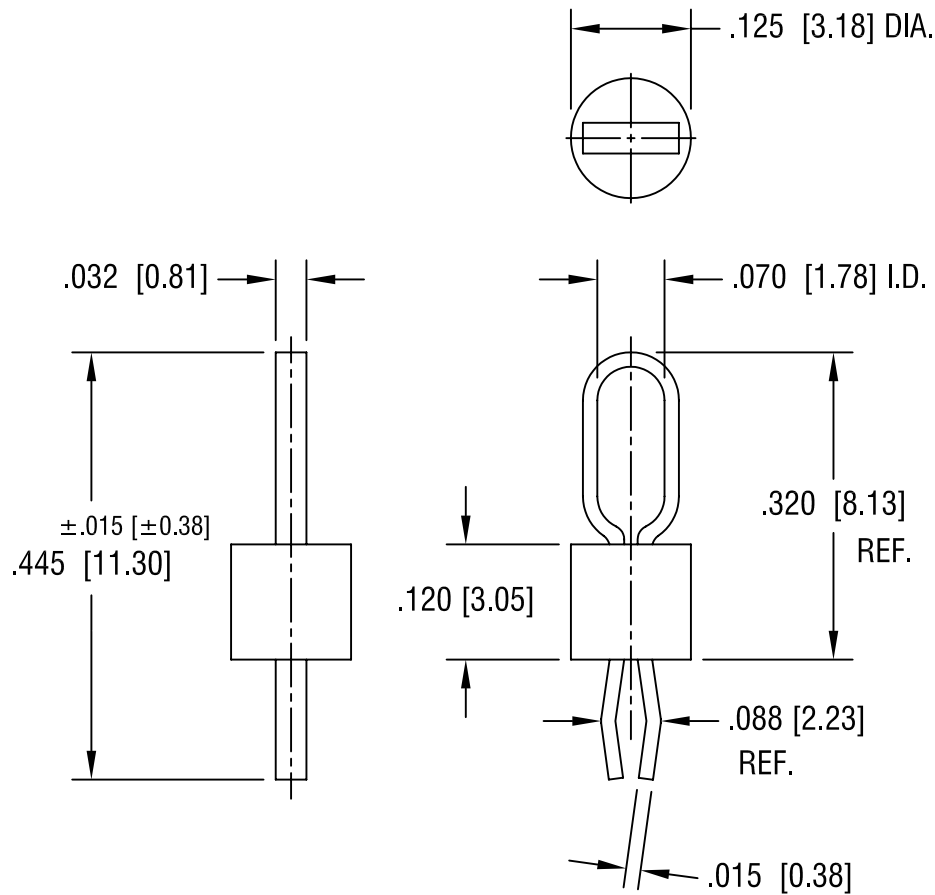


THIS DOCUMENT IS THE PROPERTY OF  
KEYSTONE ELECTRONICS CORP. AND  
SHALL NOT BE REPRODUCED, DISTRIBUTED  
OR USED AS A BASIS FOR MANUFACTURE  
WITHOUT PRIOR WRITTEN PERMISSION  
FROM KEYSTONE ELECTRONICS CORP.



PART NO.	BASE COLOR
5010	RED
5011	BLACK
5012	WHITE
5013	ORANGE
5014	YELLOW

NOTES:

1. TERMINAL:

MAT'L - PHOSPHOR BRONZE WIRE

BASE:

MAT'L - LCP, UL 94V-0

**KEYSTONE ELECTRONICS CORP.**

ASTORIA, N.Y. 11105-2017

PART NAME

PC TEST POINT - MULTIPURPOSE

MATERIAL

AS NOTED

FINISH

SILVER PLATE

DRN BY

BOONE

DATE

6.19.95

APP'D

SCALE

5X

1.23.06

ECN 06-009 MAT'L WAS VALOX

B

TOLERANCES

INCH [MM]

DECIMAL  $\pm .005$  [ $\pm 0.15$ ]

ANGULAR  $\pm 1^\circ$   
UNLESS OTHERWISE SPECIFIED

CODE

C/M

DWG NO.

5010-5014

DATE

DESCRIPTION

REV.