

- Snap-In PC tails hold connector in position for wave soldering
- Tin Plated solder tails for excellent solderability
- Gold Plated contacts for low contact resistance and excellent reliability

SOCKET SPECIFICATIONS:

Shell: Phosphor Bronze
Insulator: Thermoplastic, UL Rated 94V-0
Contacts: Phosphor Bronze
Contact Area: Gold Flash over Nickel
Solder Trails: Tin over Nickel

PLUG SPECIFICATIONS:

Shell: Steel, Nickel Plate
Insulator: Thermoplastic, Rated UL 94V-0
Contact: Bronze, Gold Flash over Nickel

ELECTRICAL CHARACTERISTICS

Rated Voltage: 30V (RMS)
Contact Current Rating: 1 Amp DC max.
Contact Resistance: 15 mΩ max.
Insulation Resistance: 1000 mΩ min.
Dielectric Withstanding Voltage: 750V AC for 1 minute

MECHANICAL CHARACTERISTICS

Operating Temperature: -13°F (-25°C) to 176°F (+80°C)
Durability: 1500 Cycles min.

DESIGN ADVANTAGES

Port Expansion: Alleviates restriction of limited COM Ports and available IRQ's

Fast Data Transfer: Up to 480 Mbps; 3-5 times faster than parallel devices and 20-40 times faster than serial ports.

Daisy Chaining: Up to a max. of 127 devices to the root hub

Hot-Swapping: Allows peripherals to be connected or disconnected without turning off computer

Simple Connections: True Plug and Play; No jumper, DIP Switches or IRQ's to set

True Digital Audio: Allows USB Speakers to BYPASS the sound card and receive true digital audio sound quality

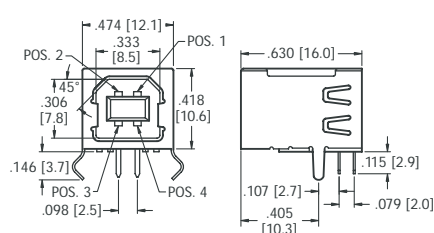
DEVICE APPLICATIONS

Ability to daisy chain more than one input device

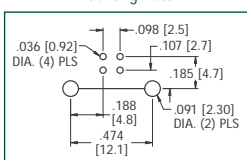
- Mouse/Keyboards
- MP3 Players
- Printers/Scanners
- Digital Cameras/Video
- Memory Sticks
- PDAs and Cell Phones

USB B-SERIES SOCKETS/PLUGS

THRU HOLE SOCKET

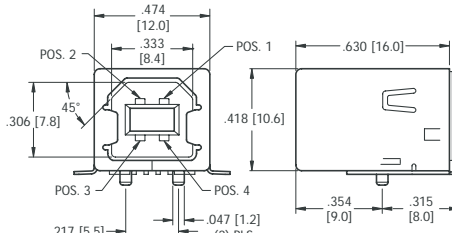


Mounting Detail

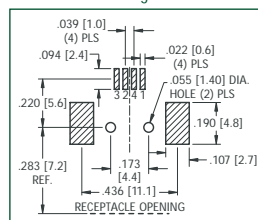


CAT. NO. 924

SURFACE MOUNT SOCKET

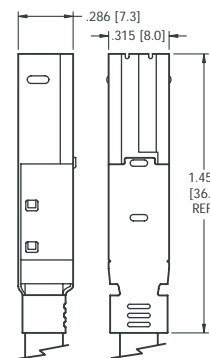


Mounting Detail



CAT. NO. 933

CABLE PLUG



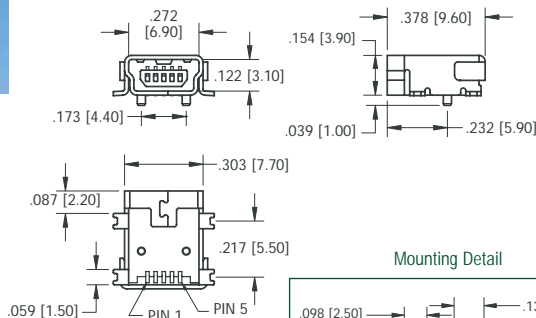
CAT. NO. 926

MINI-USB SOCKETS/PLUGS

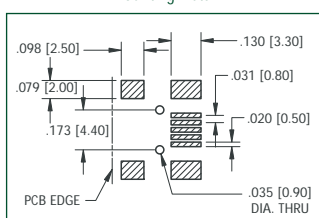
- Ideal for Miniature applications

SURFACE MOUNT SOCKET

SUPPLIED ON TAPE AND REEL

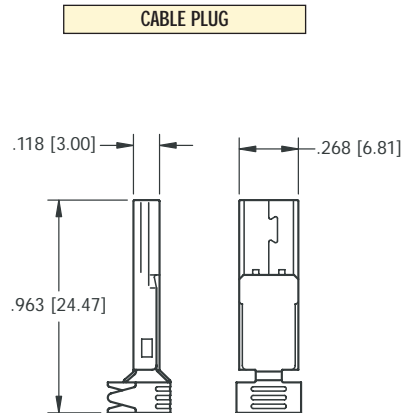


Mounting Detail



CAT. NO. 934TR

Tape & Reel Specs: 24mm wide; 16mm pitch;
 13 inch reel (800 pieces per reel)



CAT. NO. 935

