

REFER TO PAGES 8 & 9 FOR PART DIMENSIONS

NOTE: ALL MOUNTING DIMENSIONS ARE FOR REFERENCE ONLY. VERIFY YOUR BATTERY LAYOUT PRIOR TO FABRICATION.

FIGURE 15

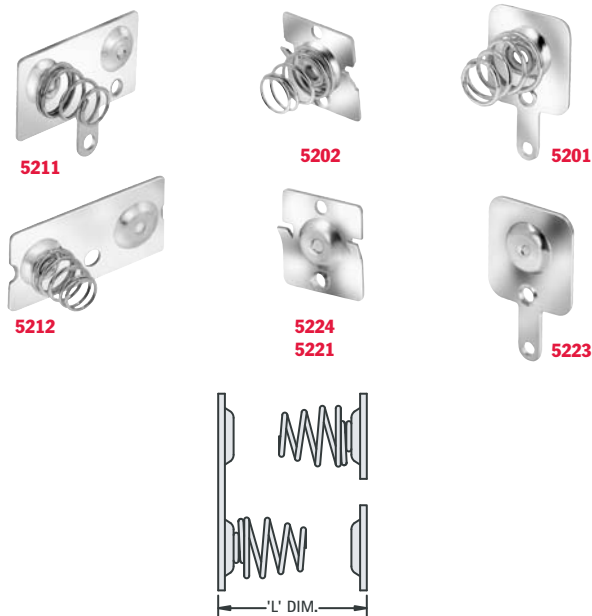


FIGURE 16



FIGURE 17



FIGURE 18

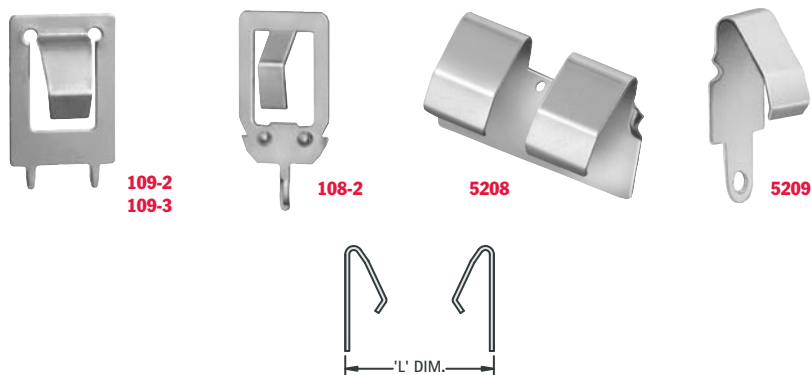
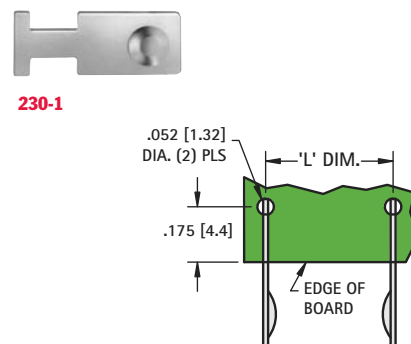


FIGURE 19



CAT. NO.	L DIMENSION								
	FIG. NO.	PAGE NO.	For "A" Battery Dimension 0.67 (17.0) × 1.77 (45.0)	For "4/5A" Battery Dimension 0.67 (17.0) × 1.69 (42.9)	For "2/3A" Battery Dimension 0.67 (17.0) × 1.31 (33.3)	For "1/2A" Battery Dimension 0.67 (17.0) × 0.97 (24.6)	For "AA" Battery Dimension 0.56 (14.2) × 1.98 (50.3)	For "4/5AA" Battery Dimension 0.56 (14.2) × 1.69 (42.9)	For "1/2AA" Battery Dimension 0.56 (14.2) × 0.97 (24.6)
5211 with 5201, 5223	15	8	2.050 (52.1)	1.970 (50.0)	1.590 (40.4)	1.250 (31.8)	2.260 (57.4)	1.970 (50.0)	1.250 (31.8)
5212 with 5221, 5222	15	8	2.050 (52.1)	1.970 (50.0)	1.590 (40.4)	1.250 (31.8)	2.260 (57.4)	1.970 (50.0)	1.250 (31.8)
5227 with 5228	16	8	2.050 (52.1)	1.970 (50.0)	1.590 (40.4)	1.250 (31.8)	2.260 (57.4)	1.970 (50.0)	1.250 (31.8)
5223 with 5201	17	8	2.050 (52.1)	1.970 (50.0)	1.590 (40.4)	1.250 (31.8)	2.260 (57.4)	1.970 (50.0)	1.250 (31.8)
5221 with 5222	17	8	2.050 (52.1)	1.970 (50.0)	1.590 (40.4)	1.250 (31.8)	2.260 (57.4)	1.970 (50.0)	1.250 (31.8)
5224 with 5202	17	8	2.030 (51.6)	1.950 (49.5)	1.570 (39.9)	1.230 (31.2)	2.240 (56.9)	1.950 (49.5)	1.230 (31.2)
5208 with 5209, 5209	18	9	2.130 (54.1)	2.050 (52.1)	1.670 (42.4)	1.330 (33.8)	2.340 (59.4)	2.050 (52.1)	1.330 (33.8)
108-2 with 108-2	18	9	2.010 (51.1)	1.930 (49.0)	1.550 (39.4)	1.210 (30.7)	2.220 (56.4)	1.930 (49.0)	1.210 (30.7)
109-2 with 109-2	18	9	2.010 (51.1)	1.930 (49.0)	1.550 (39.4)	1.210 (30.7)	2.220 (56.4)	1.930 (49.0)	1.210 (30.7)
109-3 with 109-3	18	9	2.010 (51.1)	1.930 (49.0)	1.550 (39.4)	1.210 (30.7)	2.220 (56.4)	1.930 (49.0)	1.210 (30.7)

CAT. NO.	L DIMENSION					
	FIG. NO.	PAGE NO.	For "AAA" Battery Dimension 0.41 (10.4) × 1.75 (44.5)	For "AAAA" Battery Dimension 0.33 (8.4) × 1.67 (42.4)	For "12 VOLT" Battery Dimension 0.40 (10.2) × 1.10 (27.9)	For "N" Battery Dimension 0.45 (11.4) × 1.14 (29.0)
5214 with 5203, 5225	15	9	1.980 (50.3)	1.900 (48.3)	1.330 (33.8)	1.370 (34.8)
5213 with 5203, 5225	15	9	1.980 (50.3)	1.900 (48.3)	1.330 (33.8)	1.370 (34.8)
5203 with 5225	17	9	1.980 (50.3)	1.900 (48.3)	1.330 (33.8)	1.370 (34.8)
5204 with 5226	17	9	1.980 (50.3)	1.900 (48.3)	1.330 (33.8)	1.370 (34.8)
108-2 with 108-2	18	9	1.990 (50.5)	1.910 (48.5)	1.340 (34.0)	1.380 (35.1)
230 with 230-1	19	9	1.730 (43.9)	1.670 (42.4)	1.100 (27.9)	1.140 (29.0)