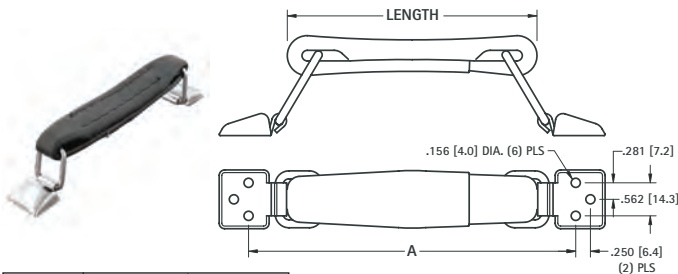


HANDLES



This retractable handle is manufactured with black leather-like material and Nickel Plated steel hardware. Handle folds flat when not in use. Mounts with #6 screws (not supplied).



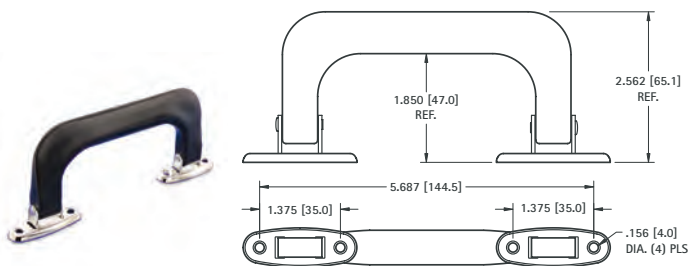
| CAT. NO. | LENGTH | A |
|----------|---------------|---------------|
| 8351 | 4.500 (114.3) | 6.000 (152.4) |
| 8352 | 5.500 (139.7) | 7.000 (177.8) |
| 8353 | 6.000 (152.4) | 7.500 (190.5) |

MATERIAL:

Grip: Leather like, Black

Hardware: Steel, Nickel Plate

Folds flat on case when not in use. Mounts with rivets or #6 screws (not supplied).



MATERIAL:

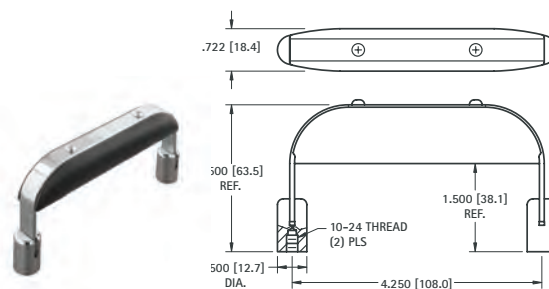
Grip: Polypropylene, Black

Post: Steel, Nickel Plate

Pin: Steel, Nickel Plate

| CAT. NO. | COLOR |
|----------|-------|
| 8356 | BLACK |

Folds flat on case when not in use. Mounts with #10-24 hardware supplied.



MATERIAL:

Grip: High Impact Styrene, Black

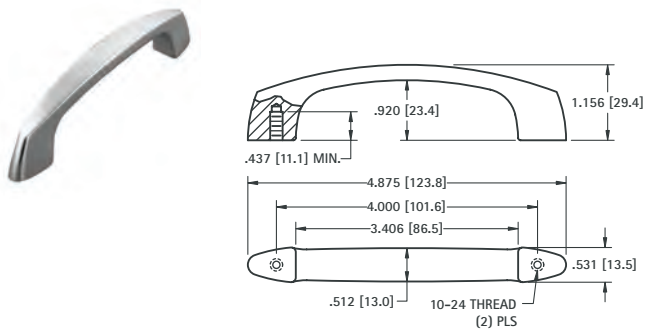
Rim: Steel, Nickel Plate

Post: Brass, Nickel Plate

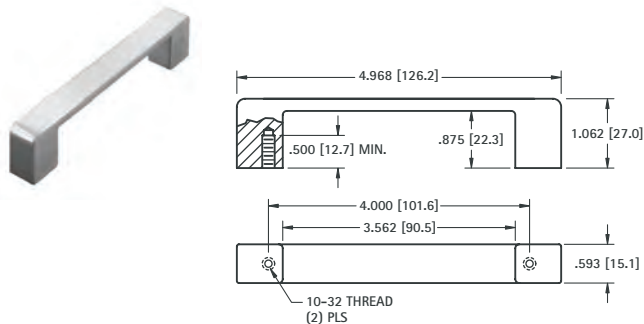
| CAT. NO. | COLOR |
|----------|-------|
| 8354 | BLACK |

CONTEMPORARY HANDLES

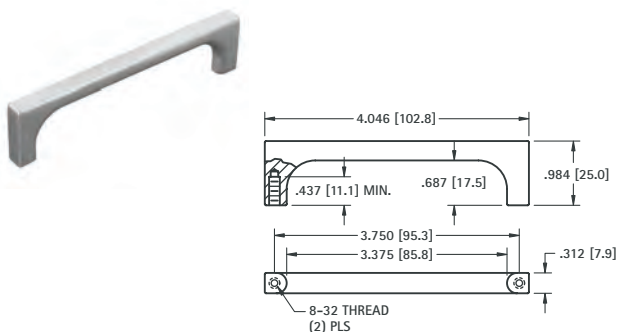
MATERIAL: Zinc, Satin Brushed, Nickel Plate



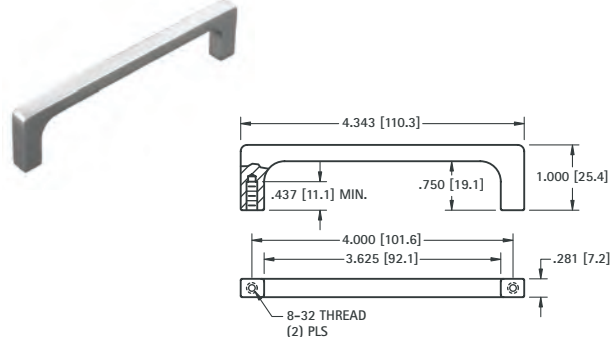
CAT. NO. 7197



CAT. NO. 7196



CAT. NO. 7199



CAT. NO. 7198