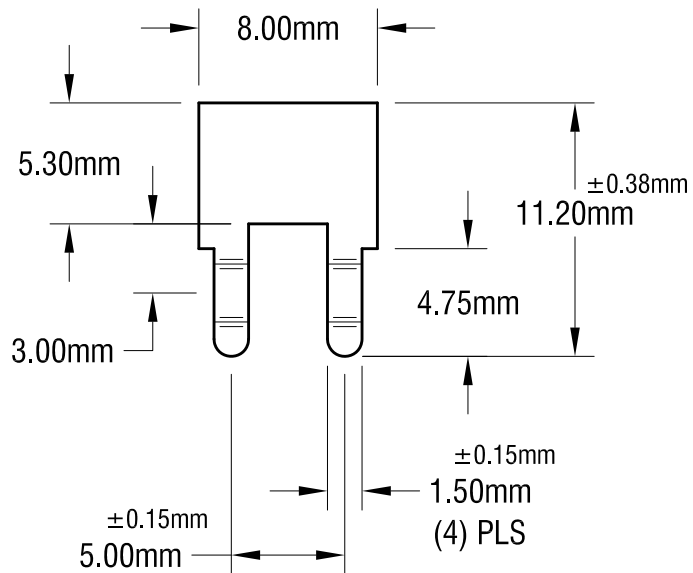
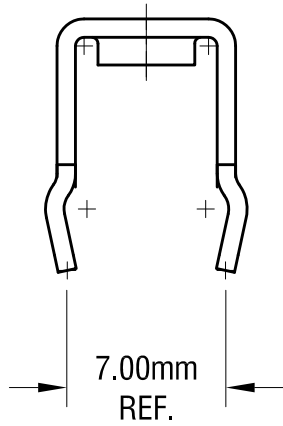
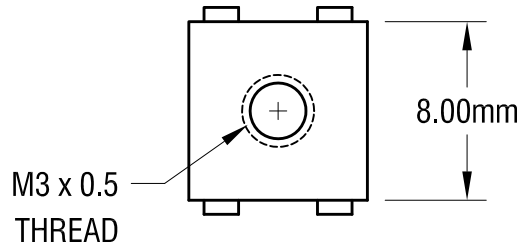
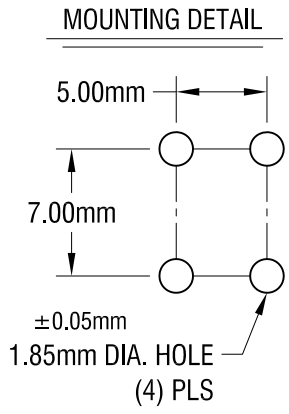
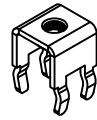


THIS DOCUMENT IS THE PROPERTY OF KEYSTONE ELECTRONICS CORP. AND SHALL NOT BE REPRODUCED, DISTRIBUTED OR USED AS A BASIS FOR MANUFACTURE WITHOUT PRIOR WRITTEN PERMISSION FROM KEYSTONE ELECTRONICS CORP.

ACTUAL SIZE



NOTE:

1. ALL DIMENSIONS ARE IN MILLIMETERS.

12.15.17	CHANGE AS PER ECN 17-077	F	KEYSTONE ELECTRONICS CORP. www.keyelco.com • ASTORIA, N.Y. 11105-2017 • Tel (718) 956-8900		
9.27.16	CHANGE AS PER ECN16-089	E			
6.18.16	CHANGE AS PER ECN16-070	D	PART NAME PC METRIC SCREW TERMINAL		
3.26.15	CHANGE AS PER ECN15-039	C	MATERIAL 0.8mm TH'K BRASS		
7.15.09	CHANGE AS PER ECN 09-104	B	FINISH MATTE TIN PLATE	DRN BY BOONE	DATE 9.28.01
1.31.08	CHANGE AS PER ECN 089-068	A		APP'D LN	SCALE 3X
DATE	DESCRIPTION	REV.	TOLERANCES DECIMAL ± [± 0.25] ANGULAR ± 1° UNLESS OTHERWISE SPECIFIED	INCH [MM] CODE C	DWG NO. 7788