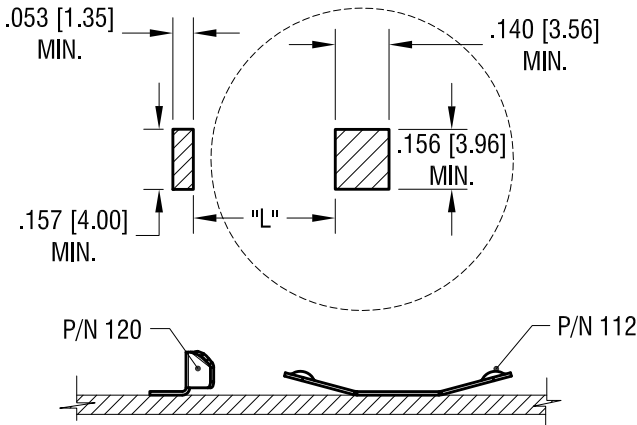
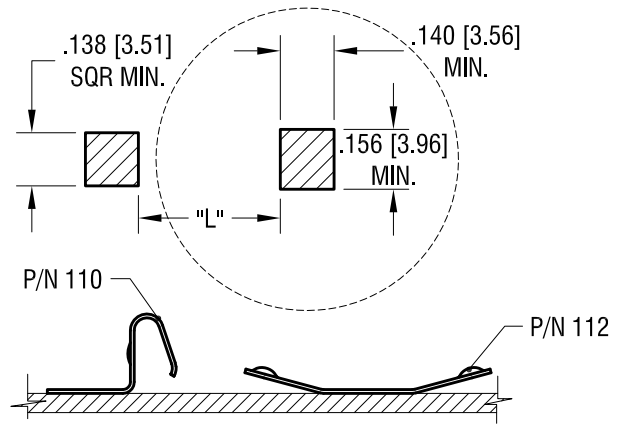


THIS DOCUMENT IS THE PROPERTY OF KEYSTONE ELECTRONICS CORP. AND SHALL NOT BE REPRODUCED, DISTRIBUTED OR USED AS A BASIS FOR MANUFACTURE WITHOUT PRIOR WRITTEN PERMISSION FROM KEYSTONE ELECTRONICS CORP.



MTG LAY OUT WHEN USE WITH P/N 120

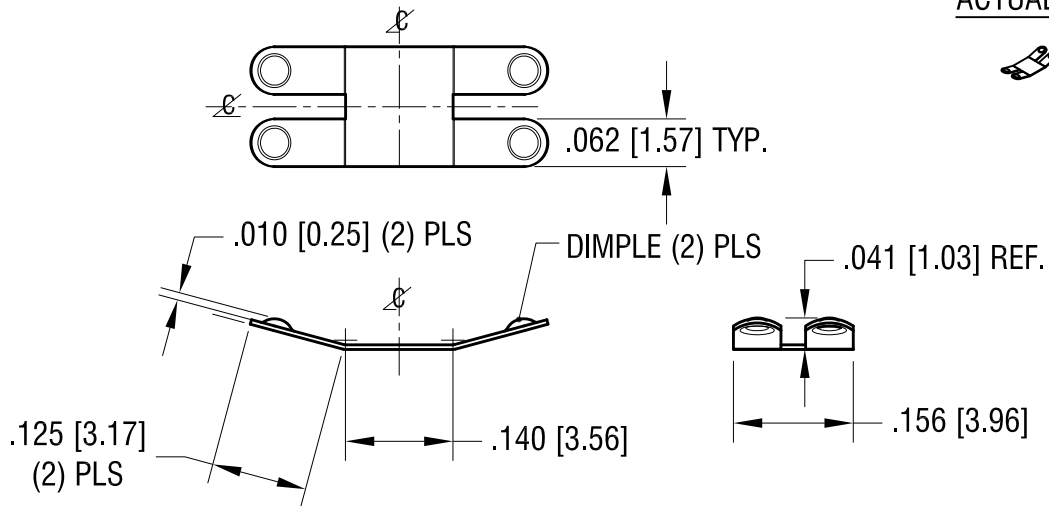
BATTERY DIA.	L
20mm	.336 [8.5]
23mm	.395 [10.0]



MTG LAY OUT WHEN USE WITH P/N 110

BATTERY DIA.	L
20mm	.370 [9.4]
23mm	.429 [10.9]
24mm	.448 [11.4]
30mm	.567 [14.4]

ACTUAL SIZE



11.13.15	CHANGE AS PER ECN 15-134	F
9.21.15	CHANGE AS PER ECN 15-104	E
12.11.14	CHANGE AS PER ECN 14-121	D
7.24.14	CHANGE AS PER ECN 14-075	C
1.29.14	CHANGE AS PER ECN 14-011	B
12.02.13	CHANGE AS PER ECN 13-104	A
DATE	DESCRIPTION	REV.

KEYSTONE ELECTRONICS CORP.		
www.keyelco.com • NEW HYDE PARK, NY 11040 • Tel (516) 328-7500		
PART NAME NEGATIVE BATTERY CONTACT		
MATERIAL .006 [0.15] TH'K STAINLESS STEEL		
FINISH GOLD PLATE		DRN BY NT
		DATE 10.07.13
		APP'D LN
		SCALE 4X
TOLERANCES INCH [MM]	CODE	DWG NO.
DECIMAL ± .005 [± 0.13]	C	112
ANGULAR ± 1°		
UNLESS OTHERWISE SPECIFIED		