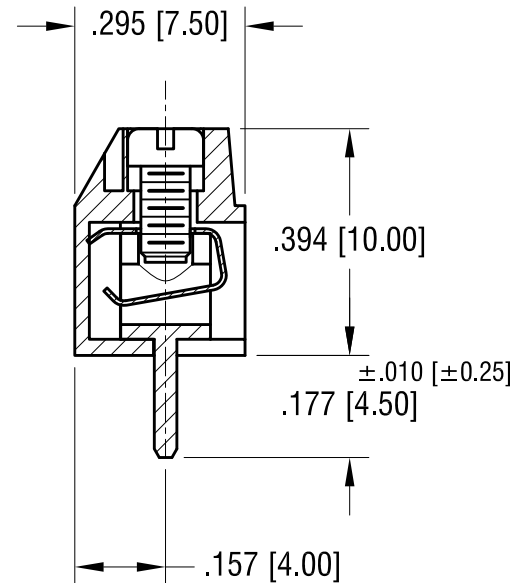
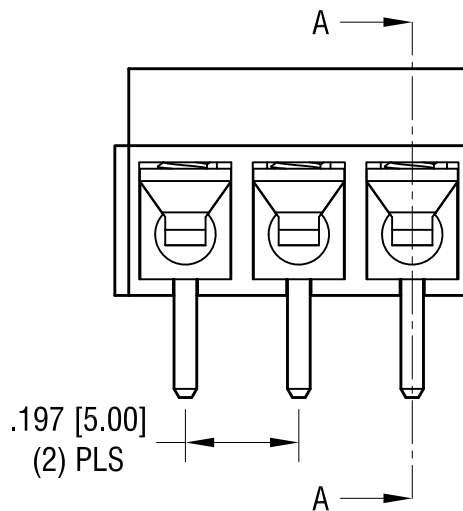
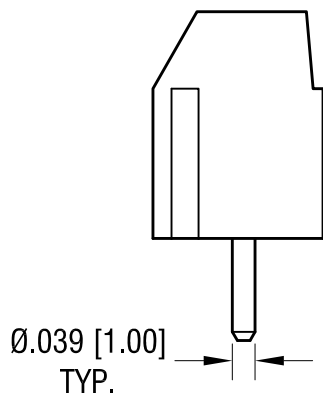
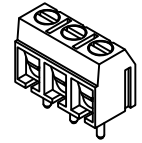
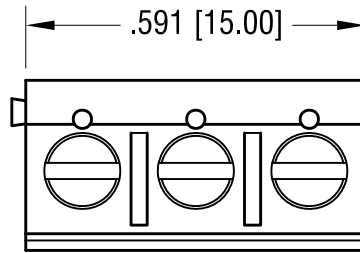


THIS DOCUMENT IS THE PROPERTY OF
KEYSTONE ELECTRONICS CORP. AND
SHALL NOT BE REPRODUCED, DISTRIBUTED
OR USED AS A BASIS FOR MANUFACTURE
WITHOUT PRIOR WRITTEN PERMISSION
FROM KEYSTONE ELECTRONICS CORP.

ACTUAL SIZE



SECTION A-A

NOTES:

1. MAT'L:
HOUSING: PA66, UL 94V-0
CONTACT: BRASS, TIN PLATE
SCREW, CAPTIVATED: STEEL, ZINC PLATE
2. RECOMMENDED MOUNTING HOLE:
.047 [1.19] DIA. (3) PLS

7.26.22	MAT'L WAS PBT CHANGE AS PER ECN 22-131	A
DATE	DESCRIPTION	REV.

KEYSTONE ELECTRONICS CORP.			
www.keyelco.com • NEW HYDE PARK, NY 11040 • Tel (516) 328-7500			
PART NAME		5mm PC TERMINAL BLOCK	
MATERIAL		AS NOTED	
FINISH	AS NOTED	DRN BY	BOONE
		APP'D	RH
		DATE	7.23.98
		SCALE	3X
TOLERANCES	INCH [MM]	CODE	DWG NO.
DECIMAL	± .005 [± 0.13]	C	8719
ANGULAR	± 1°		
UNLESS OTHERWISE SPECIFIED			