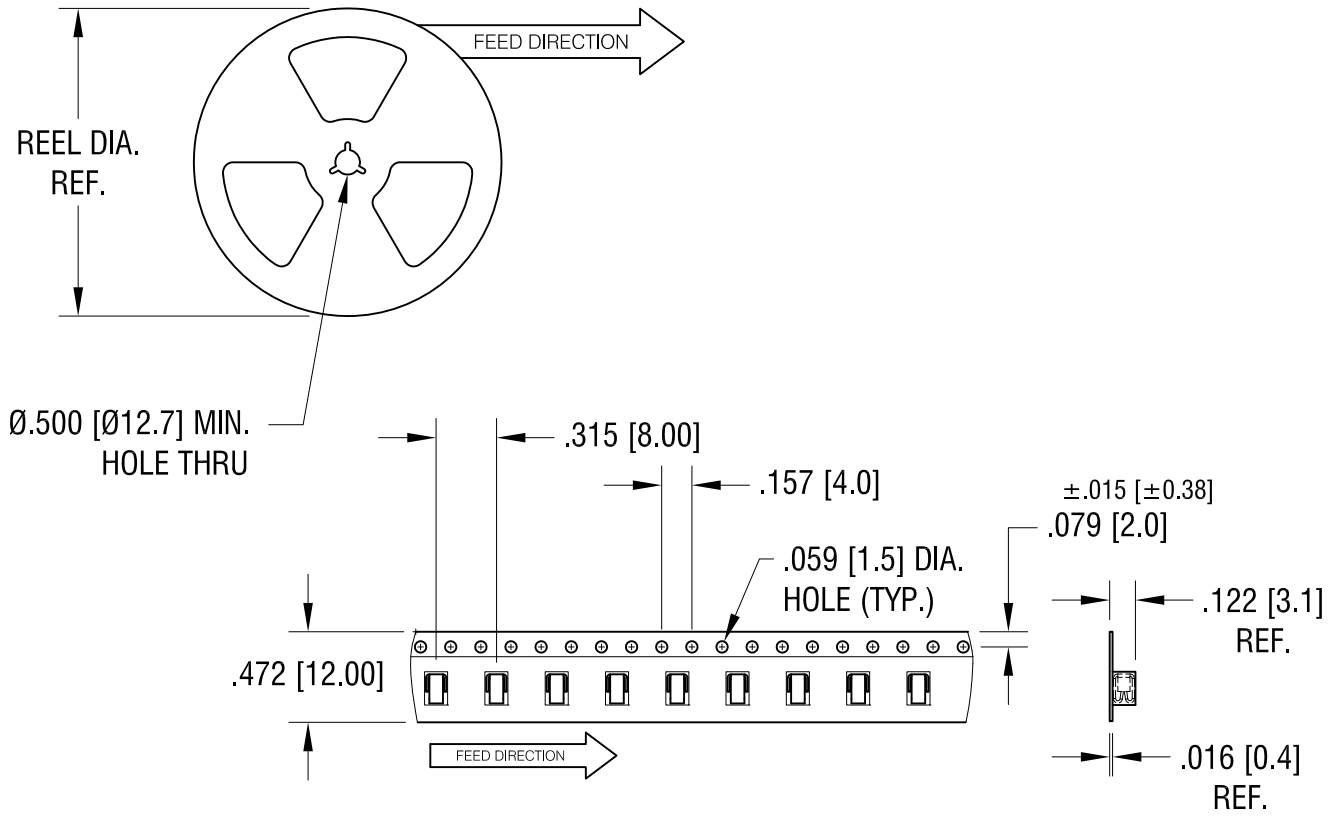


THIS DOCUMENT IS THE PROPERTY OF KEYSTONE ELECTRONICS CORP. AND SHALL NOT BE REPRODUCED, DISTRIBUTED OR USED AS A BASIS FOR MANUFACTURE WITHOUT PRIOR WRITTEN PERMISSION FROM KEYSTONE ELECTRONICS CORP.



**NOTES:**

1. SUPPLIED ON TAPE AND REEL ONLY.

**TAPE AND REEL SPECIFICATIONS:**

2. TAPE:

MAT'L - ALL CONDUCTIVE POLYSTYRENE CARRIER  
ANSI/EIA-481 STANDARD

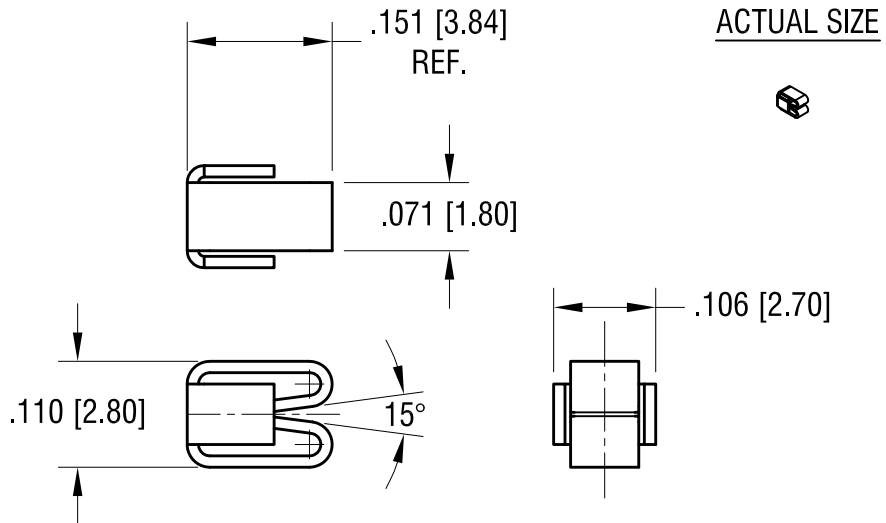
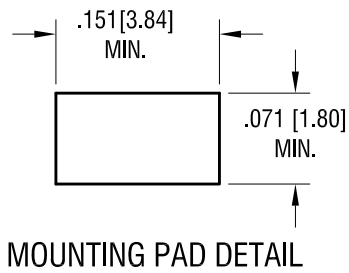
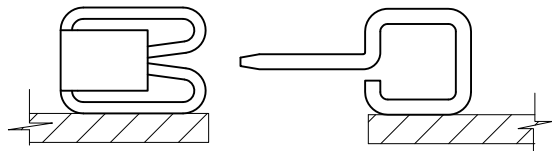
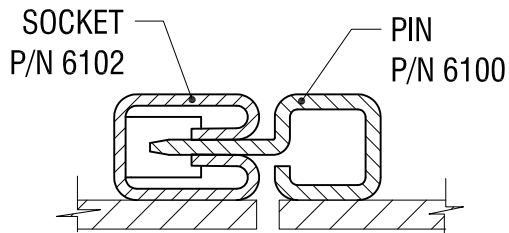
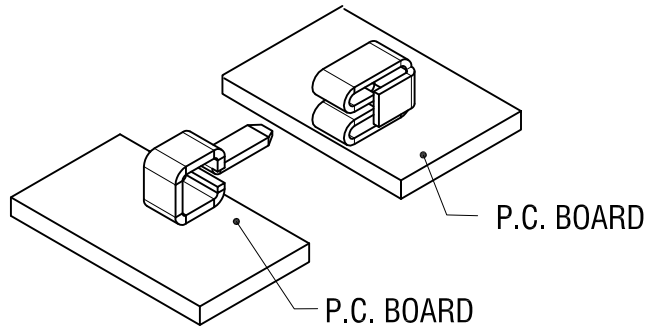
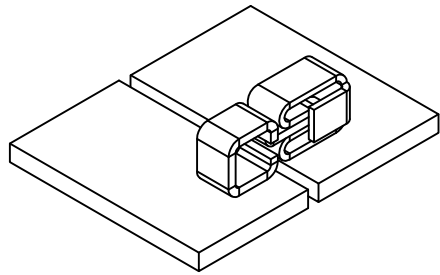
3. REEL:

7.0 [180.00] DIA. 500 PIECES OF  
P/N 6102 PER REEL

7.23.19	PITCH WAS .157 [4.00] CHANGE AS PER ECN 19-061	A
DATE	DESCRIPTION	REV.

<b>KEYSTONE ELECTRONICS CORP.</b>			
www.keyelco.com • NEW HYDE PARK, NY 11040 • Tel (516) 328-7500			
PART NAME PARALLEL FITTING SOCKET ON TAPE AND REEL			
MATERIAL AS NOTED			
FINISH AS NOTED		DRN BY NT	DATE 3.04.19
		APP'D RH	SCALE X
TOLERANCES DECIMAL ANGULAR UNLESS OTHERWISE SPECIFIED	INCH [MM] ± .005 [± 0.13] ± 1°	CODE C	DWG NO. <b>6102TR</b>

THIS DOCUMENT IS THE PROPERTY OF KEYSTONE ELECTRONICS CORP. AND SHALL NOT BE REPRODUCED, DISTRIBUTED OR USED AS A BASIS FOR MANUFACTURE WITHOUT PRIOR WRITTEN PERMISSION FROM KEYSTONE ELECTRONICS CORP.



<b>KEYSTONE ELECTRONICS CORP.</b>			
www.keyelco.com • NEW HYDE PARK, NY 11040 • Tel (516) 328-7500			
PART NAME			
PARALLEL FITTING SM SOCKET			
MATERIAL			
.012 [0.30] TH'K PHOSPHOR BRONZE			
FINISH		DRN BY	DATE
GOLD PLATE		NT	3.04.19
		APP'D	SCALE
		LN	5X
TOLERANCES	INCH	[MM]	CODE
DECIMAL	± .005	[± 0.13]	C
ANGULAR	± 1°		
UNLESS OTHERWISE SPECIFIED			DWG NO.
			<b>6102</b>

DATE	DESCRIPTION	REV.	
------	-------------	------	--