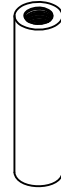
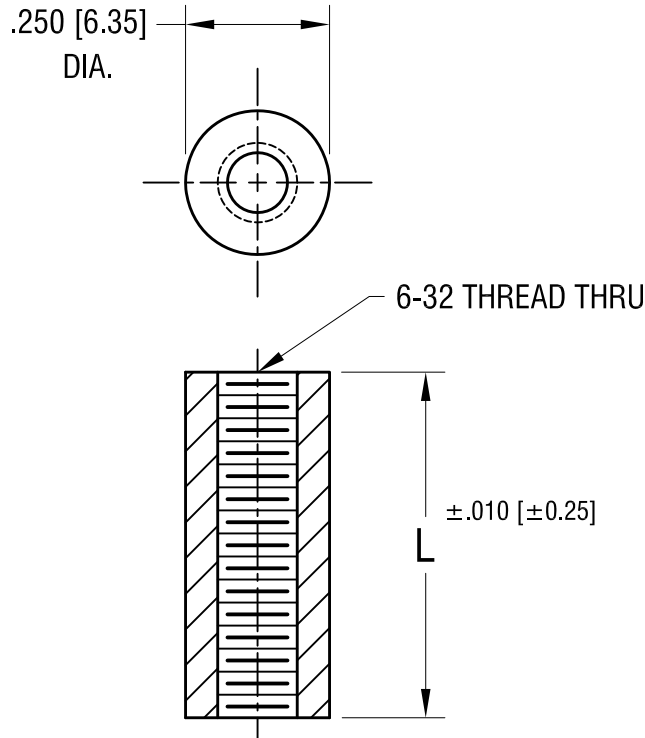


THIS DOCUMENT IS THE PROPERTY OF
KEYSTONE ELECTRONICS CORP. AND
SHALL NOT BE REPRODUCED, DISTRIBUTED
OR USED AS A BASIS FOR MANUFACTURE
WITHOUT PRIOR WRITTEN PERMISSION
FROM KEYSTONE ELECTRONICS CORP.

ACTUAL SIZE



PART NUMBER 1144



PART NO.	'L' DIM.
1140	.250 [6.35]
1141	.375 [9.52]
1142	.500 [12.70]
1143	.750 [19.05]
1144	1.000 [25.4]

KEYSTONE ELECTRONICS CORP.

www.keyelco.com • NEW HYDE PARK NY 11040 • Tel (516)328-7500

PART NAME			
THREADED ROUND STANDOFF			
MATERIAL			
ACETAL			
FINISH		DRN BY	DATE
NONE		NT	1.24.24
		APP'D	SCALE
		RH	3X
TOLERANCES	INCH [MM]	CODE	DWG NO.
DECIMAL	± .005 [± 0.13]	C	1140 - 1144
ANGULAR	± 1°		
UNLESS OTHERWISE SPECIFIED			

DATE	DESCRIPTION	REV.
------	-------------	------