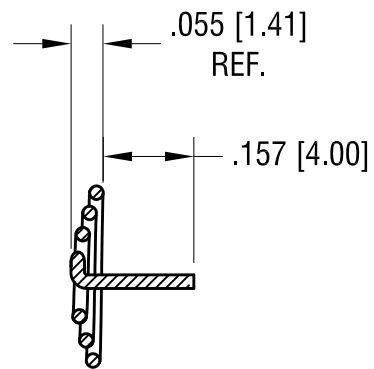
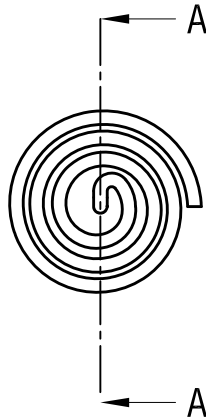
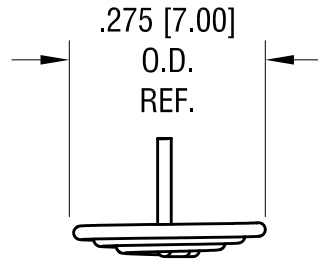


THIS DOCUMENT IS THE PROPERTY OF  
KEYSTONE ELECTRONICS CORP. AND  
SHALL NOT BE REPRODUCED, DISTRIBUTED  
OR USED AS A BASIS FOR MANUFACTURE  
WITHOUT PRIOR WRITTEN PERMISSION  
FROM KEYSTONE ELECTRONICS CORP.

ACTUAL SIZE



SECTION A-A

**NOTE:**

1. BURR NOT TO EXCEED .005 [0.13]

**KEYSTONE ELECTRONICS CORP.**

www.keyelco.com • NEW HYDE PARK, NY 11040 • Tel (516) 328-7500

PART NAME		BUTTON CONTACT FOR 'AAA'	
MATERIAL		.020 [0.50] DIA. MUSIC WIRE	
FINISH		DRN BY	DATE
NICKEL PLATE		NT	1.26.24
		APP'D	SCALE
		RH	3X
TOLERANCES	INCH [MM]	CODE	DWG NO.
DECIMAL	± .010 [± 0.25]	C	248
ANGULAR	± 1°		
UNLESS OTHERWISE SPECIFIED			

3.27.25	UPDATED WIND DIRECTION.	A
DATE	DESCRIPTION	REV.