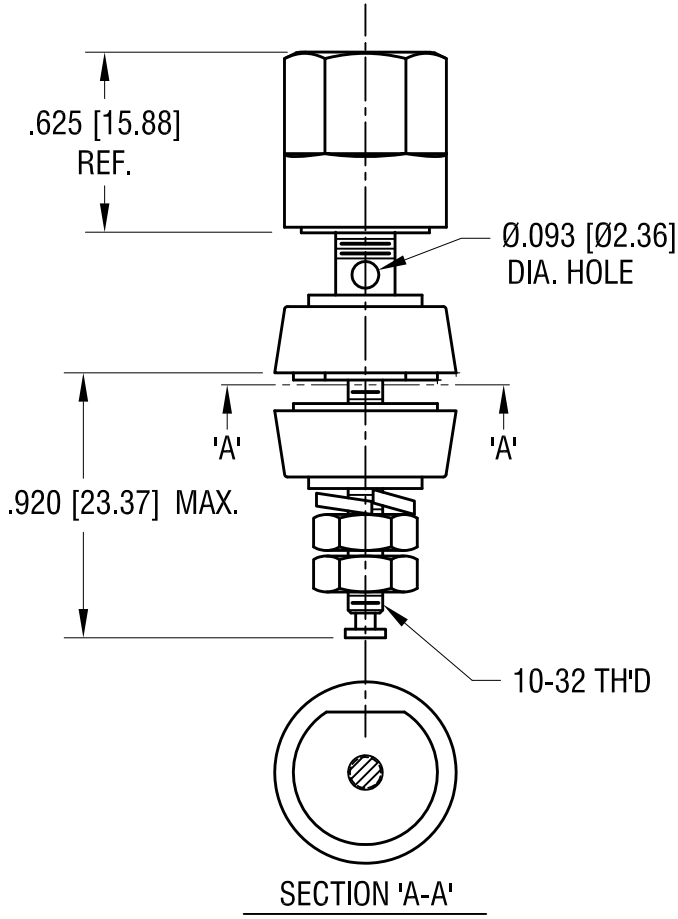
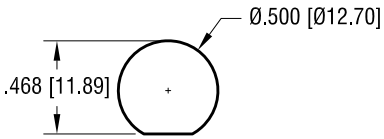
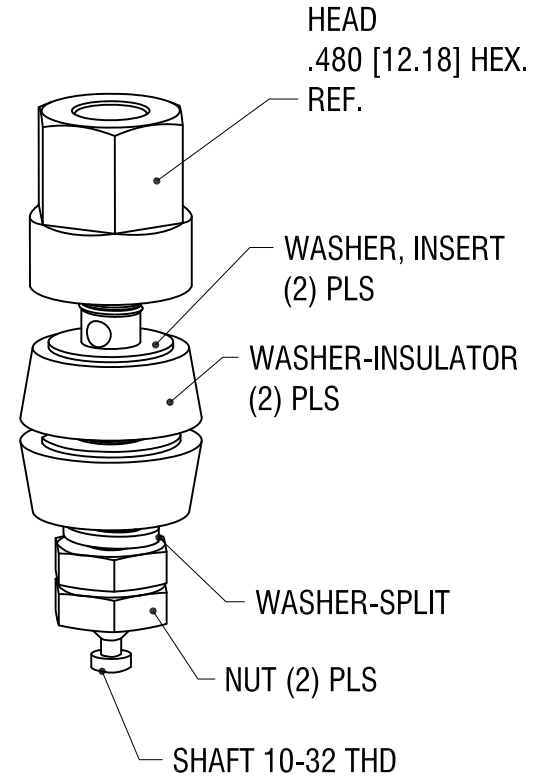


THIS DOCUMENT IS THE PROPERTY OF KEYSTONE ELECTRONICS CORP. AND SHALL NOT BE REPRODUCED, DISTRIBUTED OR USED AS A BASIS FOR MANUFACTURE WITHOUT PRIOR WRITTEN PERMISSION FROM KEYSTONE ELECTRONICS CORP.

MOUNTING DETAIL



P/N	TH'D	COLOR
7016	10-32	RED
7017	10-32	BLACK



DESCRIPTION	MAT'L	FINISH
HEAD	NYLON	-
WASHER, INSULATOR	NYLON	-
WASHER, INSERT	STEEL	GOLD PL.
WASHER, SPLIT	STEEL	GOLD PL.
NUT	BRASS	GOLD PL.
SHAFT 10-32 TH'D	BRASS	GOLD PL.

KEYSTONE ELECTRONICS CORP.

www.keyelco.com • NEW HYDE PARK NY 11040 • Tel (516)328-7500

PART NAME		STANDARD 'HEX' BINDING POST	
MATERIAL		AS NOTED	
FINISH		DRN BY	DATE
AS NOTED		BOONE	11.17.93
		APP'D	SCALE
		RH	X
TOLERANCES		INCH	[MM]
DECIMAL		± .005	[± 0.13]
ANGULAR		± 1°	
UNLESS OTHERWISE SPECIFIED		CODE	DWG NO.
		C	7016-7017

3.04.26	WASHER MAT'L WAS BRASS.	C
DATE	DESCRIPTION	REV.