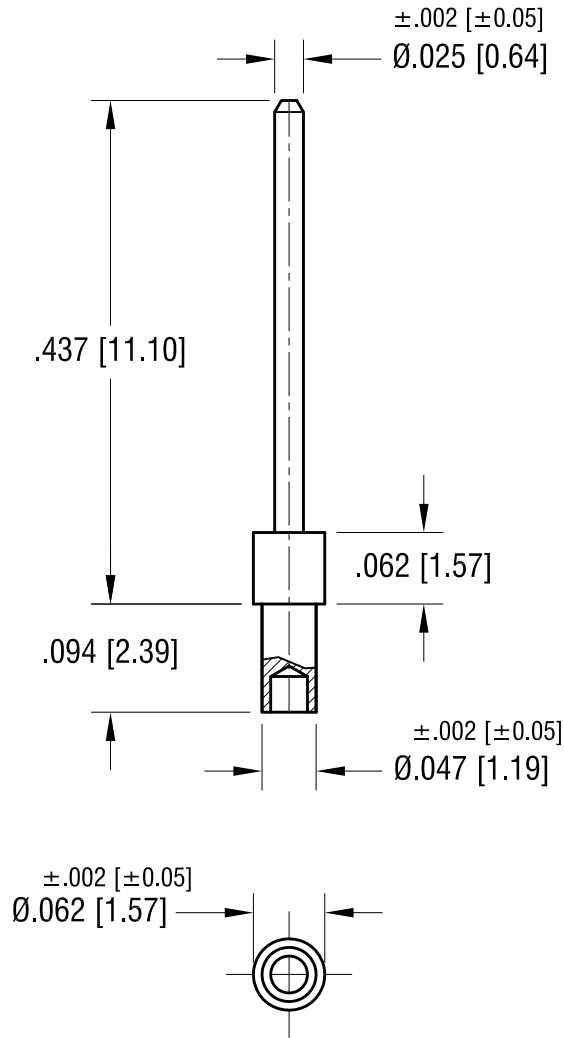


THIS DOCUMENT IS THE PROPERTY OF
KEYSTONE ELECTRONICS CORP. AND
SHALL NOT BE REPRODUCED, DISTRIBUTED
OR USED AS A BASIS FOR MANUFACTURE
WITHOUT PRIOR WRITTEN PERMISSION
FROM KEYSTONE ELECTRONICS CORP.

ACTUAL SIZE



NOTE:
1. FINISH: MOUNTING HOLE .052 [1.32] DIA.

KEYSTONE ELECTRONICS CORP.			
www.keyelco.com • NEW HYDE PARK, NY 11040 • Tel (516) 328-7500			
PART NAME			
MICRO PIN, SWAGE MOUNT			
MATERIAL			
BRASS			
FINISH		DRN BY	DATE
TIN PLATE		BOONE	2.22.07
		APP'D	SCALE
		RH	6X
TOLERANCES	INCH [MM]	CODE	DWG NO.
DECIMAL	± .005 [± 0.13]	C	1371-2
ANGULAR	± 1°		
UNLESS OTHERWISE SPECIFIED			

2.27.23	CHANGE AS PER ECN 23-027	B
4.16.08	CHANGE AS PER ECN 08-101	A
DATE	DESCRIPTION	REV.