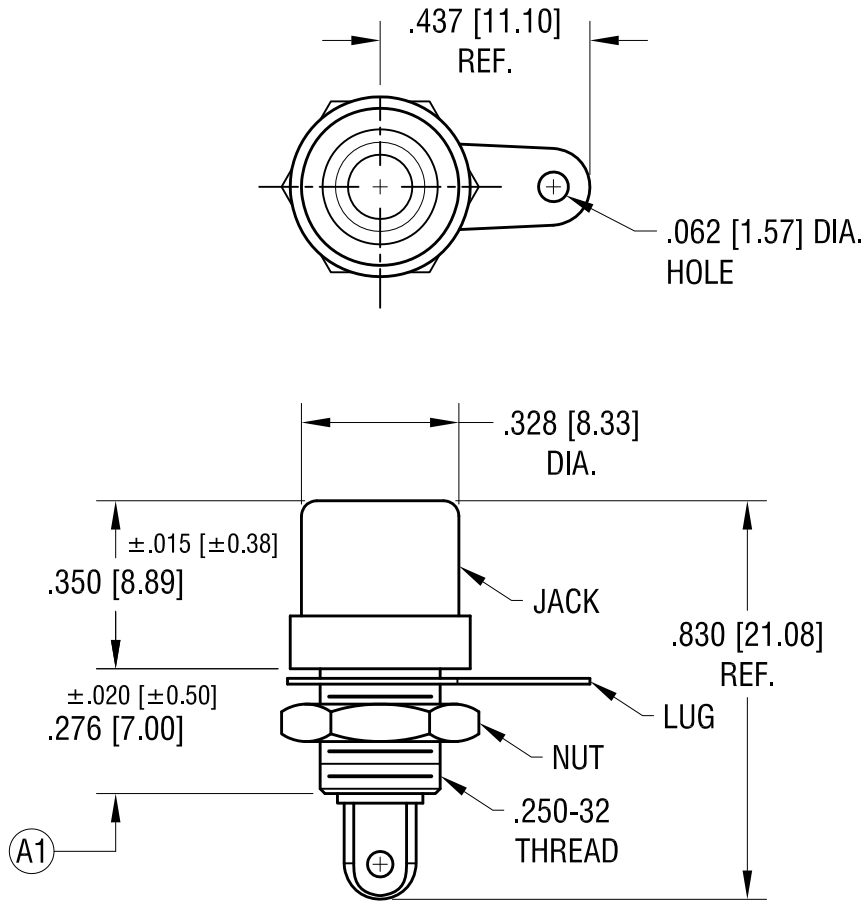


THIS DOCUMENT IS THE PROPERTY OF  
KEYSTONE ELECTRONICS CORP. AND  
SHALL NOT BE REPRODUCED, DISTRIBUTED  
OR USED AS A BASIS FOR MANUFACTURE  
WITHOUT PRIOR WRITTEN PERMISSION  
FROM KEYSTONE ELECTRONICS CORP.



PART NO.	INSULATOR COLOR
598	WHITE
599	YELLOW

<b>KEYSTONE ELECTRONICS CORP.</b>			
www.keyelco.com • NEW HYDE PARK NY 11040 • Tel (516)328-7500			
PART NAME <b>PHONO JACK</b>			
MATERIAL <b>BRASS</b>			
FINISH <b>NICKEL PLATE</b>		DRN BY <b>BOONE</b>	DATE <b>10.29.07</b>
		APP'D <b>RH</b>	SCALE <b>2.5X</b>
TOLERANCES	INCH [MM]	CODE	DWG NO.
DECIMAL	$\pm .005$ [ $\pm 0.13$ ]	<b>C</b>	<b>598-599</b>
ANGULAR	$\pm 1^\circ$		
UNLESS OTHERWISE SPECIFIED			

5.15.26	(A1) WAS .260 [6.60] UPDATED DIMENSIONS	A
DATE	DESCRIPTION	REV.