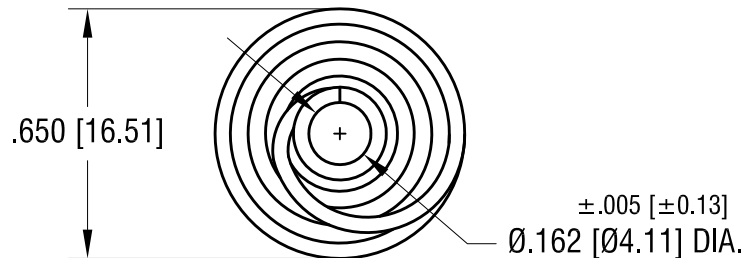
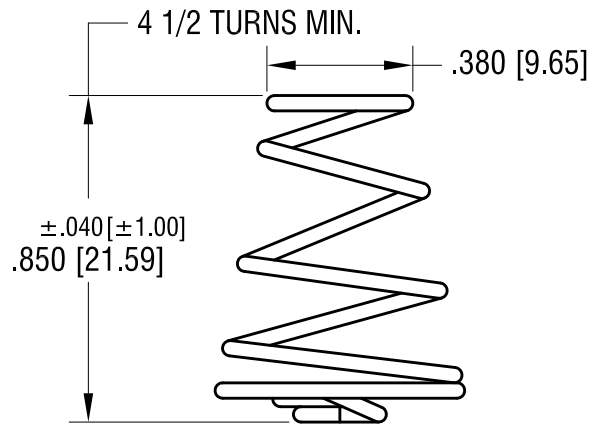
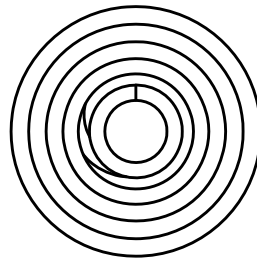
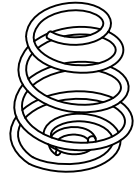


THIS DOCUMENT IS THE PROPERTY OF
KEYSTONE ELECTRONICS CORP. AND
SHALL NOT BE REPRODUCED, DISTRIBUTED
OR USED AS A BASIS FOR MANUFACTURE
WITHOUT PRIOR WRITTEN PERMISSION
FROM KEYSTONE ELECTRONICS CORP.

ACTUAL SIZE



KEYSTONE ELECTRONICS CORP.

www.keyelco.com • NEW HYDE PARK NY 11040 • Tel (516)328-7500

PART NAME		COIL SPRING - DCELL	
MATERIAL		.040 DIA. MUSIC WIRE	
FINISH		DRN BY	DATE
NICKEL PLATE		BOONE	11.11.93
		APP'D	SCALE
		RH	2X
TOLERANCES	INCH [MM]	CODE	DWG NO.
DECIMAL	± .010 [± 0.25]	C	211-D
ANGULAR	± 1°		
UNLESS OTHERWISE SPECIFIED			

4.17.25	UPDATED TOLERANCES.	B
12.18.12	ECN 12-159, SPLITTED C/M	A
DATE	DESCRIPTION	REV.