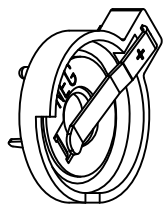
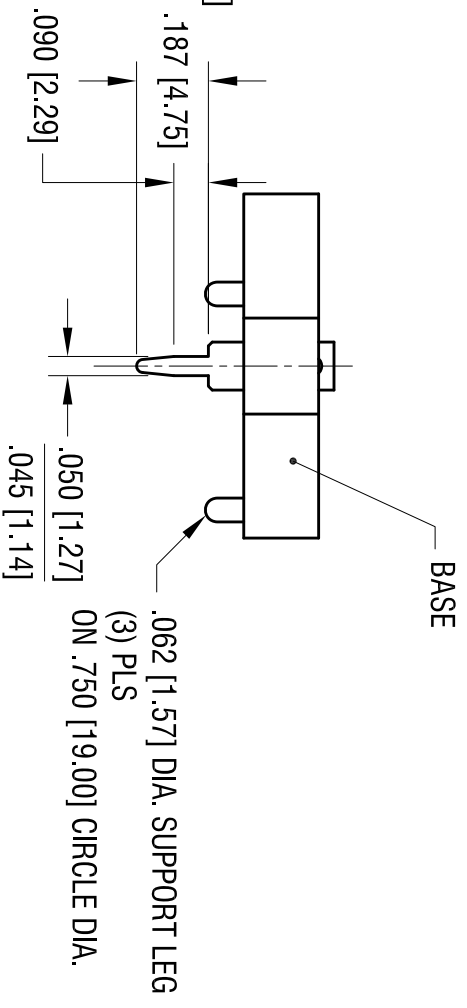
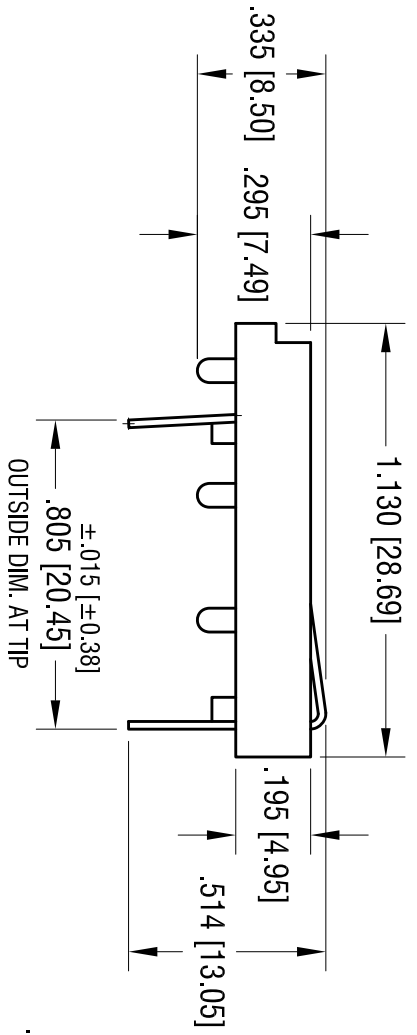
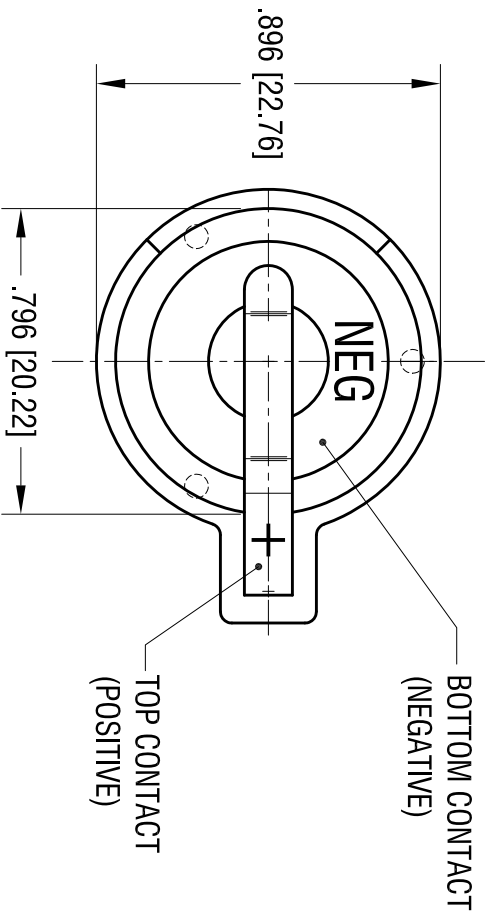
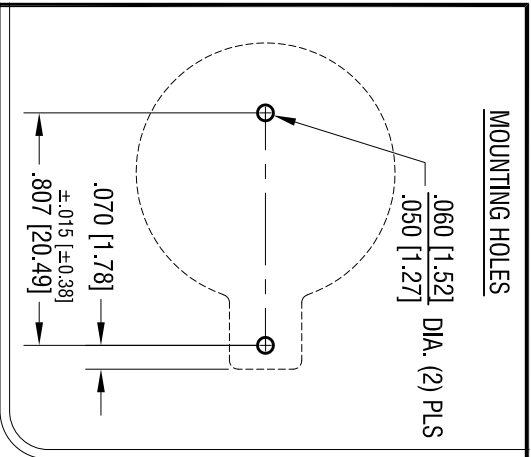


DATE	DESCRIPTION	REV.
9.20.04	CHANGE AS PER ECN 04-110	F
11.2.11	CHANGE AS PER ECN 11-142	G



ACTUAL SIZE

THIS DOCUMENT IS THE PROPERTY OF KEYSTONE ELECTRONICS CORP. AND SHALL NOT BE REPRODUCED, DISTRIBUTED OR USED AS A BASIS FOR MANUFACTURE WITHOUT PRIOR WRITTEN PERMISSION FROM KEYSTONE ELECTRONICS CORP.

KEYSTONE ELECTRONICS CORP.
 www.keystonelco.com • NEW HYDE PARK, NY 11040 • Tel (516) 328-7500

PART NAME
COIN CELL PC BATTERY HOLDER

MATERIAL
 AS NOTED

FINISH
 AS NOTED

TOLERANCES	INCH	[MM]	CODE	DWG NO.
DECIMAL	± .010	[± 0.25]	C	
ANGULAR	± 1°			

DRN BY
 BOONE

DATE
 8.15.84

App'D
 LN

SCALE
 2X

103

- NOTES:
1. BASE:
 MAT'L - PBT (UL 94V-0), COLOR BLACK
 2. CONTACTS (TOP AND BOTTOM):
 MAT'L - .020 [0.50] THK SPRING STEEL
 FINISH: TIN NICKEL PLATE