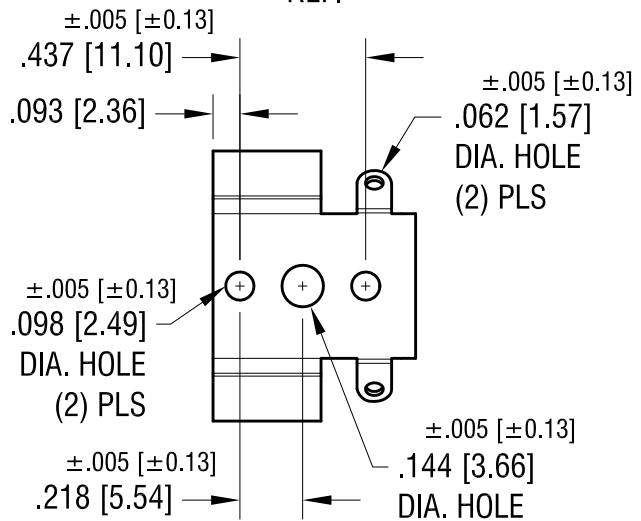
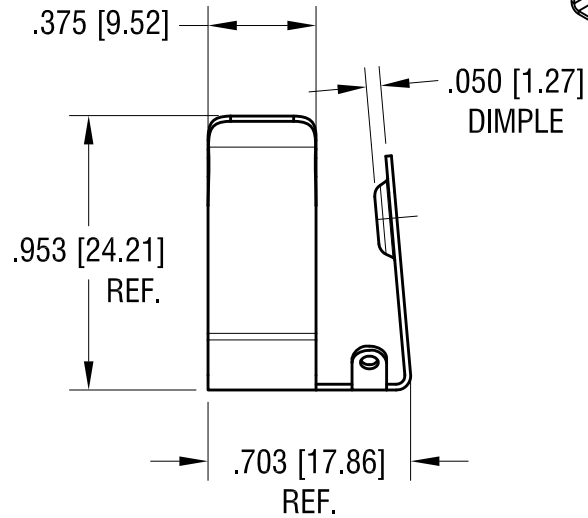
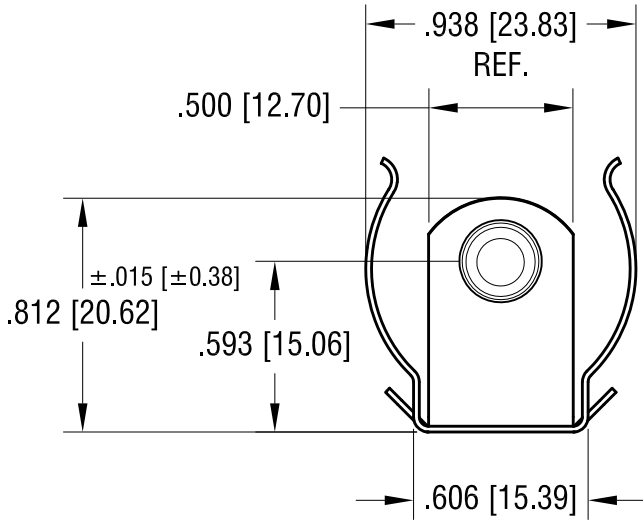
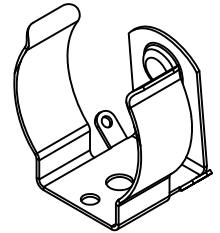


THIS DOCUMENT IS THE PROPERTY OF
KEYSTONE ELECTRONICS CORP. AND
SHALL NOT BE REPRODUCED, DISTRIBUTED
OR USED AS A BASIS FOR MANUFACTURE
WITHOUT PRIOR WRITTEN PERMISSION
FROM KEYSTONE ELECTRONICS CORP.

ACTUAL SIZE



NOTE:

1. HEAT TREAT TO SPRING TEMPER.

10.06.16	CHANGE AS PER ECR 16-058	E
12.18.15	CHANGE AS PER ECN 15-146	D
6.14.04	CHANGE AS PER ECN 04-047	C
DATE	DESCRIPTION	REV.

KEYSTONE ELECTRONICS CORP.			
www.keyelco.com • ASTORIA, N.Y. 11105-2017 • Tel (718) 956-8900			
PART NAME		'C' CELL END CLIP	
MATERIAL		.020 [0.50] TH'K ANNEALED SPRING STEEL	
FINISH		DRN BY	DATE
NICKEL PLATE		BOONE	10.29.81
		APP'D	SCALE
TOLERANCES INCH [MM]		CODE	DWG NO.
ANGULAR ± 2°		C	
UNLESS OTHERWISE SPECIFIED			