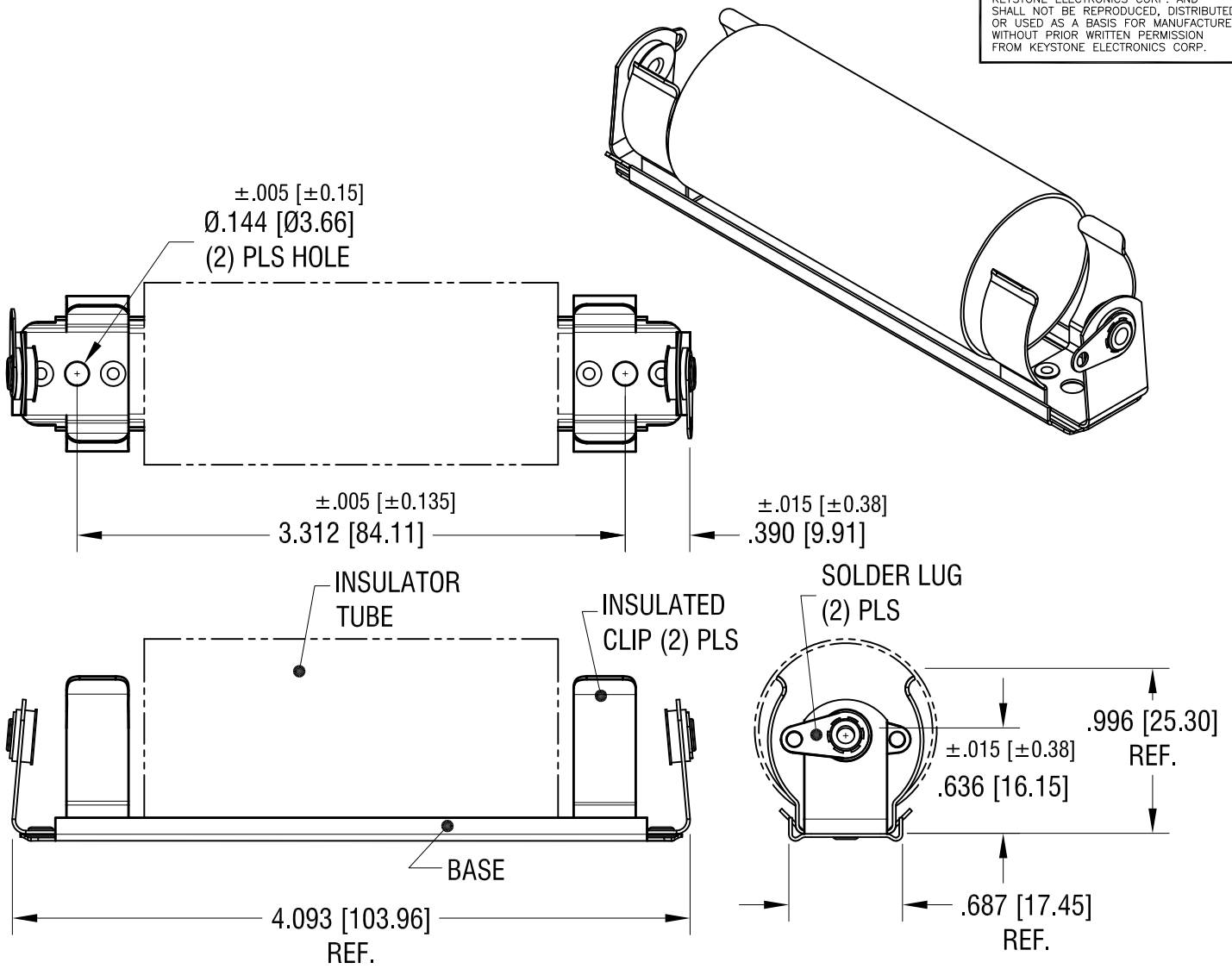


THIS DOCUMENT IS THE PROPERTY OF KEYSTONE ELECTRONICS CORP. AND SHALL NOT BE REPRODUCED, DISTRIBUTED OR USED AS A BASIS FOR MANUFACTURE WITHOUT PRIOR WRITTEN PERMISSION FROM KEYSTONE ELECTRONICS CORP.



NOTES:

1. BASE: MAT'L - STAINLESS STEEL
2. CLIP: MAT'L - SPRING STEEL
FINISH - NICKEL PLATE
3. LUG: MAT'L - BRASS
FINISH - TIN PLATE
4. TUBE: MAT'L - WOUND PAPER, BLACK

10.29.92	REVISED	A
DATE	DESCRIPTION	REV.

KEYSTONE ELECTRONICS CORP.			
www.keyelco.com • NEW HYDE PARK NY 11040 • Tel (516)328-7500			
PART NAME			
INSULATED BATTERY HOLDER (2) 'C'			
MATERIAL			
AS NOTED			
FINISH		DRN BY	DATE
AS NOTED		BOONE	8.09.82
		APP'D	SCALE
		RH	1X
TOLERANCES	INCH	[MM]	CODE
DECIMAL	$\pm .010$	[± 0.25]	DWG NO.
ANGULAR	$\pm 1^\circ$		
UNLESS OTHERWISE SPECIFIED			2185