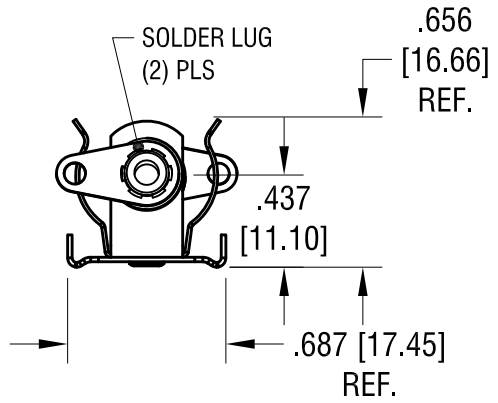
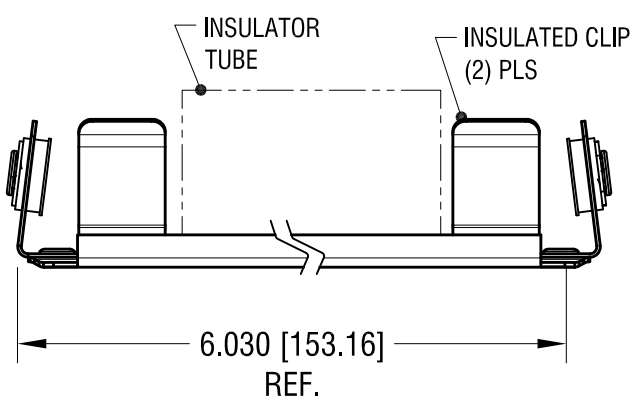
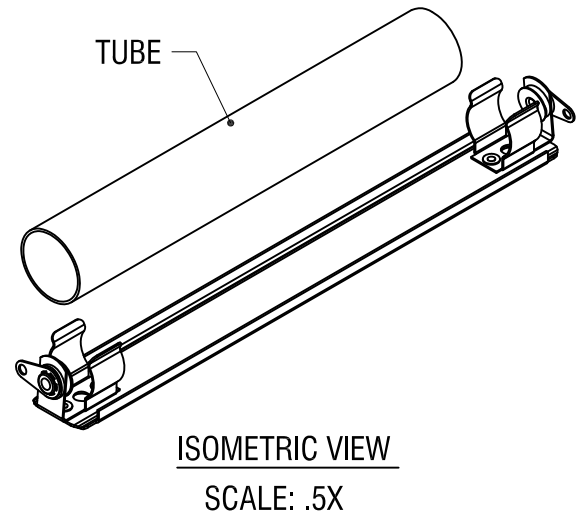
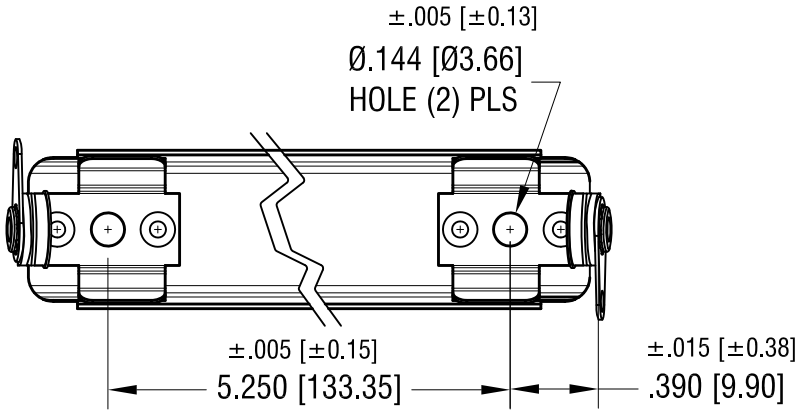


THIS DOCUMENT IS THE PROPERTY OF KEYSTONE ELECTRONICS CORP. AND SHALL NOT BE REPRODUCED, DISTRIBUTED OR USED AS A BASIS FOR MANUFACTURE WITHOUT PRIOR WRITTEN PERMISSION FROM KEYSTONE ELECTRONICS CORP.



- NOTES:
1. BASE: MAT'L - STAINLESS STEEL
 2. CLIP: MAT'L - SPRING STEEL
FINISH - NICKEL PLATE
 3. LUG: MAT'L - BRASS
FINISH - TIN PLATE
 4. TUBE: MAT'L - WOUND PAPER, BLACK

KEYSTONE ELECTRONICS CORP.			
www.keyelco.com • NEW HYDE PARK NY 11040 • Tel (516)328-7500			
PART NAME INSULATED BATTERY HOLDER (3) 'AA'			
MATERIAL AS NOTED			
FINISH AS NOTED		DRN BY BOONE	DATE 8.09.82
		APP'D MR	SCALE 1.2X
TOLERANCES INCH [MM] DECIMAL $\pm .010$ [± 0.25] ANGULAR $\pm 1^\circ$ UNLESS OTHERWISE SPECIFIED	CODE C	DWG NO. 2191	

6.09.00	CHANGE AS PER ECN 00-044	B
8.11.83	REVISED DIMENSIONS	A
DATE	DESCRIPTION	REV.