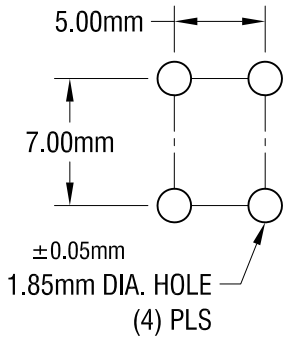
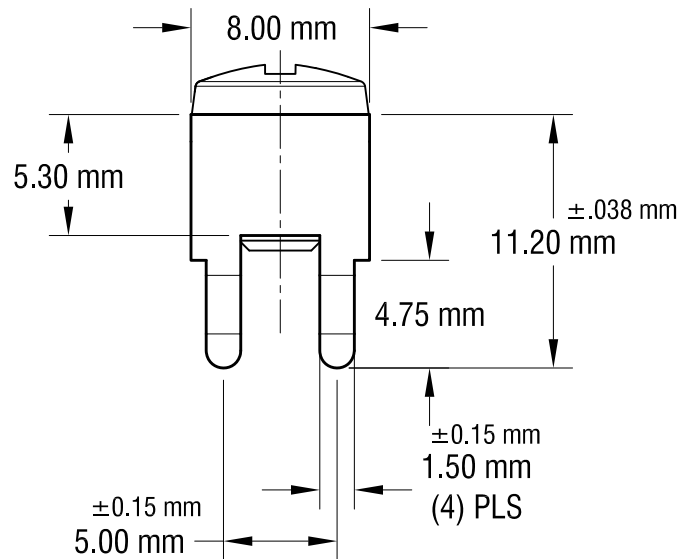
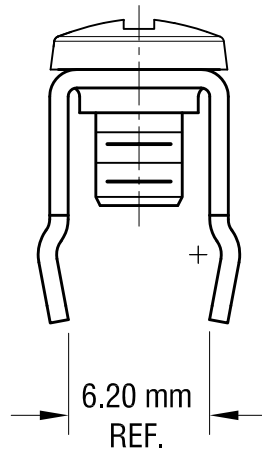
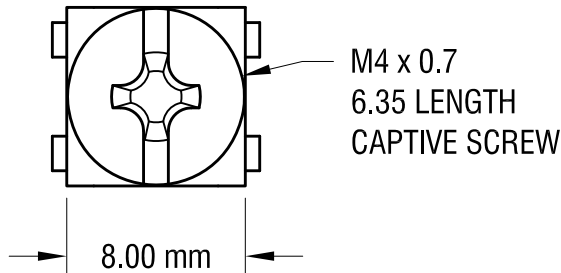
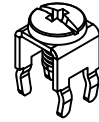


THIS DOCUMENT IS THE PROPERTY OF KEYSTONE ELECTRONICS CORP. AND SHALL NOT BE REPRODUCED, DISTRIBUTED OR USED AS A BASIS FOR MANUFACTURE WITHOUT PRIOR WRITTEN PERMISSION FROM KEYSTONE ELECTRONICS CORP.

**MOUNTING DETAIL**



**ACTUAL SIZE**



**NOTE:**

1. TERMINAL:  
MAT'L - 0.81mm TH'K BRASS, MATTE TIN PLATE
2. SCREW : ONE (1) M4 x 0.7 x 6.35mm L.  
(CAPTIVE SCREW)  
MAT'L - BRASS, NICKEL PLATE
3. ALL DIMENSIONS ARE IN MILLIMETERS.

**KEYSTONE ELECTRONICS CORP.**

www.keyelco.com • NEW HYDE PARK NY 11040 • Tel (516)328-7500

PART NAME  
**PC METRIC SCREW TERMINAL WITH SCREW**

MATERIAL  
**AS NOTED**

FINISH <b>AS NOTED</b>	DRN BY	NT	DATE	7.03.08
	APP'D	LN	SCALE	3X

TOLERANCES	INCH	[MM]	CODE	DWG NO.
DECIMAL	±	[±0.25]	C	<b>7797</b>
ANGULAR	± 1°			
UNLESS OTHERWISE SPECIFIED				

1.31.22	CHANGE AS PER ECN 22-032	C
1.25.10	CHANGE AS PER ECN 10-006	B
11.18.08	CHANGE AS PER ECN 08-181	A
DATE	DESCRIPTION	REV.