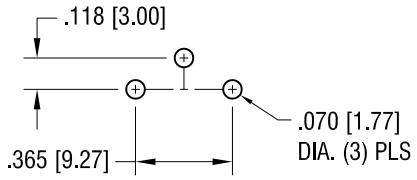
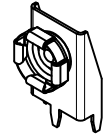
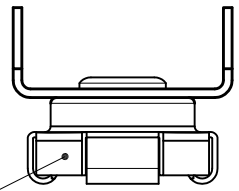


THIS DOCUMENT IS THE PROPERTY OF
KEYSTONE ELECTRONICS CORP. AND
SHALL NOT BE REPRODUCED, DISTRIBUTED
OR USED AS A BASIS FOR MANUFACTURE
WITHOUT PRIOR WRITTEN PERMISSION
FROM KEYSTONE ELECTRONICS CORP.

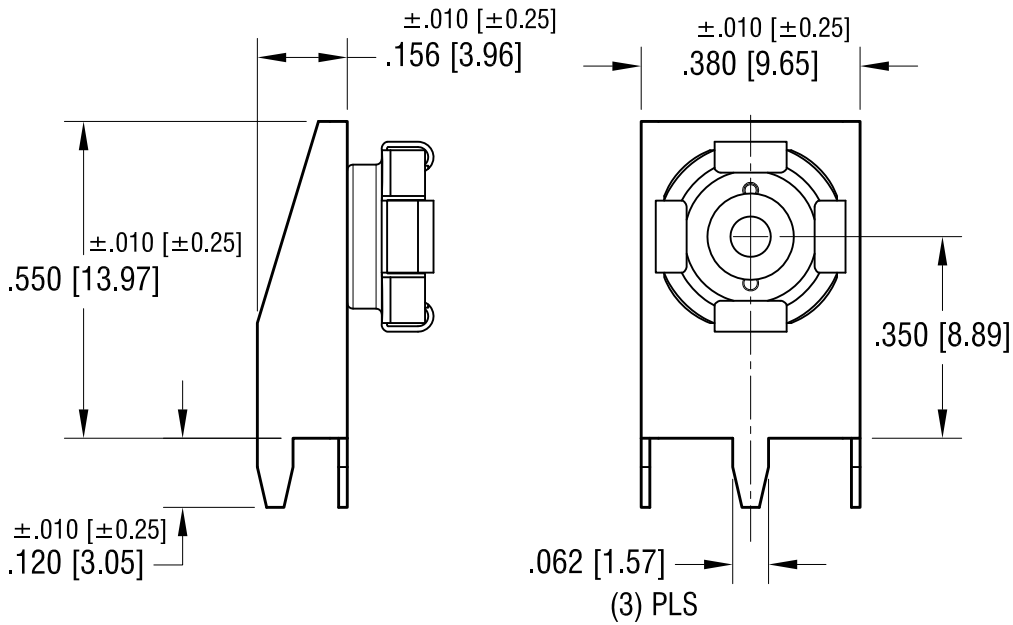
ACTUAL SIZE



MOUNTING DETAIL



SOCKET P/N 269



NOTE:

1. BASE - MAT'L: .015 [0.38] TH'K STEEL
FINISH: MATTE TIN PLATE
2. SOCKET - MAT'L: STEEL
FINISH: NICKEL PLATE

KEYSTONE ELECTRONICS CORP.			
www.keyelco.com • NEW HYDE PARK, NY 11040 • Tel (516) 328-7500			
PART NAME		9 VOLT FEMALE PC SNAP-ON	
MATERIAL		AS NOTED	
FINISH		DRN BY	DATE
AS NOTED		BOONE	12.08.98
		APP'D	SCALE
		LN	3X
6.02.09	CHANGE AS PER ECN 09-041	A	
DATE	DESCRIPTION	REV.	
			594

TOLERANCES	INCH	[MM]	CODE
DECIMAL	± .005	[± 0.13]	
ANGULAR	± 1°		C
UNLESS OTHERWISE SPECIFIED			