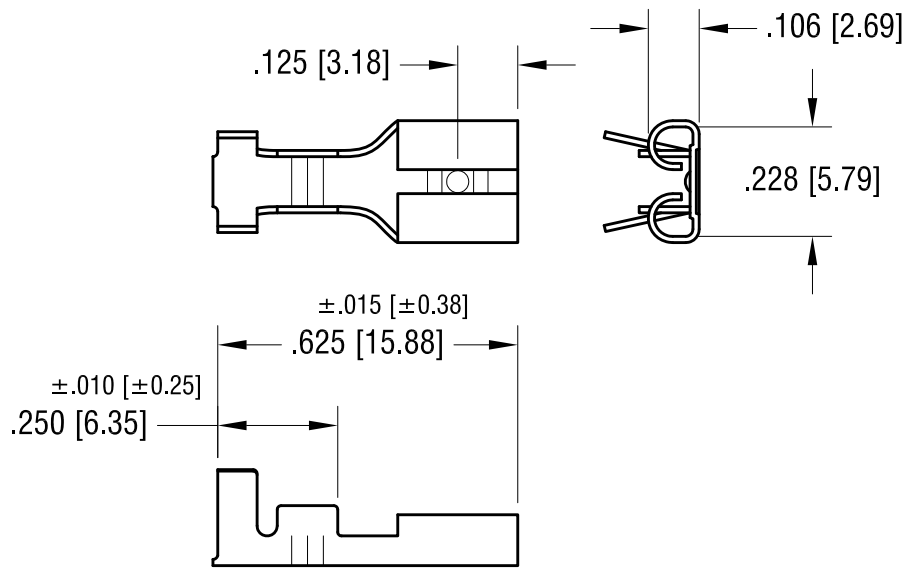
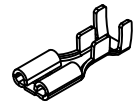


THIS DOCUMENT IS THE PROPERTY OF  
KEYSTONE ELECTRONICS CORP. AND  
SHALL NOT BE REPRODUCED, DISTRIBUTED  
OR USED AS A BASIS FOR MANUFACTURE  
WITHOUT PRIOR WRITTEN PERMISSION  
FROM KEYSTONE ELECTRONICS CORP.

ACTUAL SIZE



NOTES:

- DESIGNED FOR .205 [5.21] x .020 [0.51] TAB
- WIRE RANGE : 20-16 AWG

11.12.07	CHANGE AS PER ECN 07-077	B
7.11.96	CHANGE AS PER ECR 96-035	A
DATE	DESCRIPTION	REV.

<b>KEYSTONE ELECTRONICS CORP.</b>			
www.keyelco.com • NEW HYDE PARK, NY 11040 • Tel (516) 328-7500			
PART NAME			
.205 X .020 QUICK-FIT FEMALE TERMINAL			
MATERIAL			
.013 [0.33] TH'K BRASS			
FINISH		DRN BY	DATE
TIN PLATE		BOONE	5.05.82
		APP'D	SCALE
		RH	2.5X
TOLERANCES	INCH [MM]	CODE	DWG NO.
DECIMAL	± .005 [± 0.13]	C	4469
ANGULAR	± 1°		
UNLESS OTHERWISE SPECIFIED			