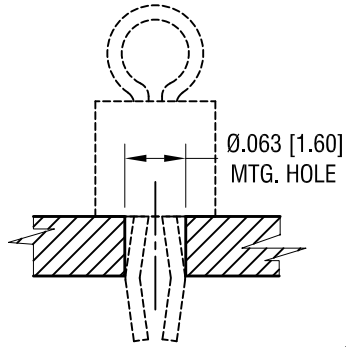
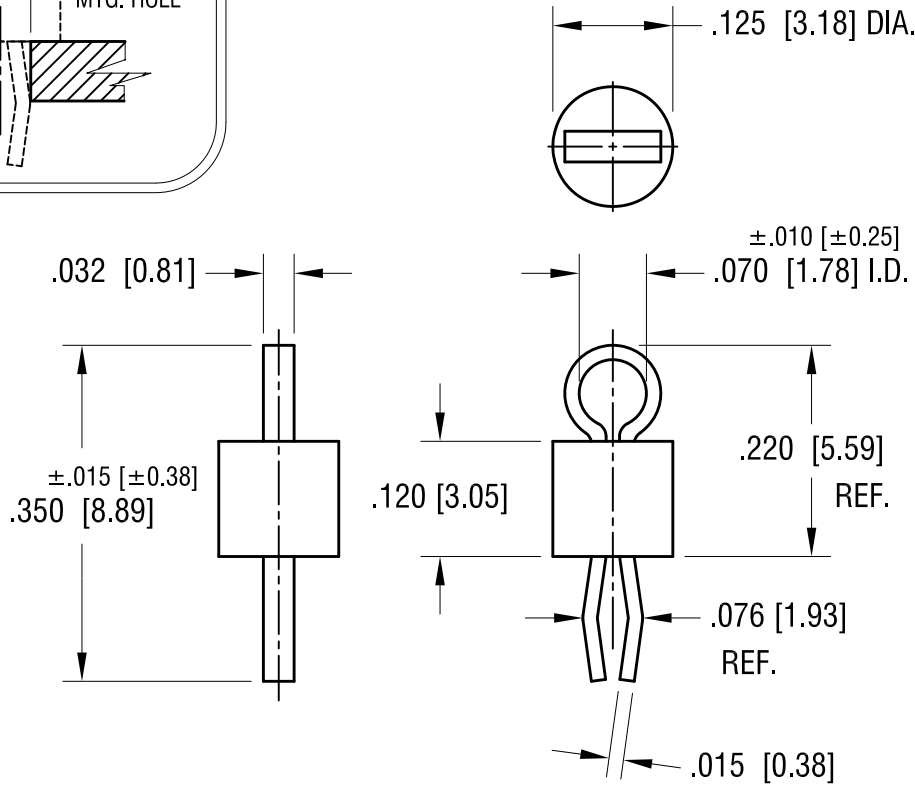


THIS DOCUMENT IS THE PROPERTY OF KEYSTONE ELECTRONICS CORP. AND SHALL NOT BE REPRODUCED, DISTRIBUTED OR USED AS A BASIS FOR MANUFACTURE WITHOUT PRIOR WRITTEN PERMISSION FROM KEYSTONE ELECTRONICS CORP.

MTG. DETAIL



ACTUAL SIZE



NOTES:

1. TERMINAL:
MAT'L - PHOSPHOR BRONZE WIRE
2. BASE:
MAT'S - HEAT RESISTANT NYLON 46
3. MTG HOLE: .063 [1.60]
4. OPERATING TEMP: -50°F TO 185°F
(-45°C TO 85°C)

PART NO.	BASE COLOR
5005	RED
5006	BLACK
5007	WHITE
5008	ORANGE
5009	YELLOW

KEYSTONE ELECTRONICS CORP.			
www.keyelco.com • NEW HYDE PARK NY 11040 • Tel (516)328-7500			
PART NAME			
PC TEST POINT - COMPACT			
MATERIAL			
AS NOTED			
FINISH		DRN BY	DATE
SILVER PLATE		NT	12.09.08
		APP'D	SCALE
		RH	5X
TOLERANCES	INCH [MM]	CODE	DWG NO.
DECIMAL	± .005 [± 0.13]	C	5005-5009
ANGULAR	± 1°		
UNLESS OTHERWISE SPECIFIED			

DATE	DESCRIPTION	REV.
12.30.13	CHANGE AS PER ECN 13-120	F
12.04.08	CHANGE AS PER ECN 08-190	E