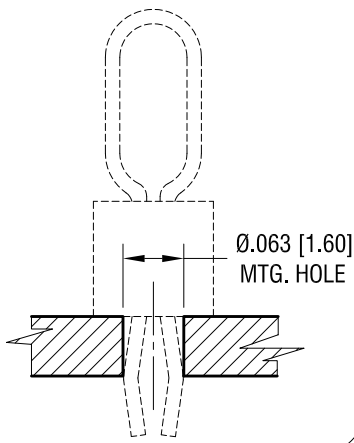
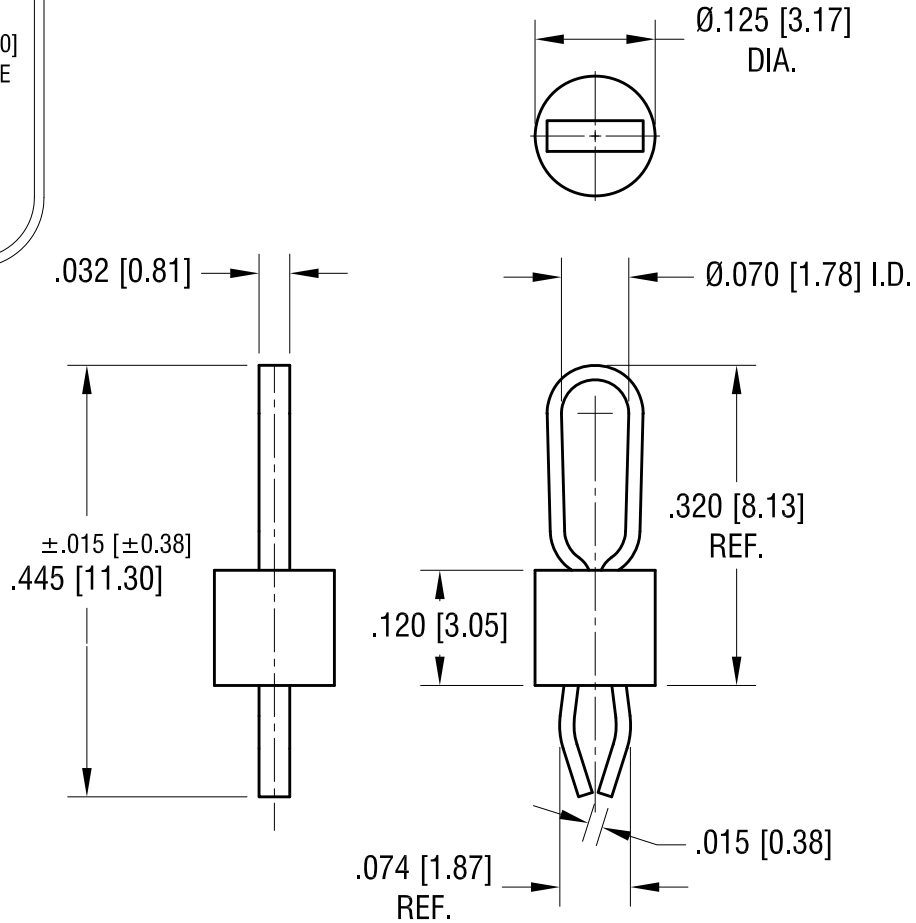


THIS DOCUMENT IS THE PROPERTY OF KEYSTONE ELECTRONICS CORP. AND SHALL NOT BE REPRODUCED, DISTRIBUTED OR USED AS A BASIS FOR MANUFACTURE WITHOUT PRIOR WRITTEN PERMISSION FROM KEYSTONE ELECTRONICS CORP.

MTG. DETAIL



ACTUAL SIZE



NOTES:

- 1. TERMINAL:
MAT'L - PHOSPHOR BRONZE WIRE
- 2. BASE:
MAT'L - HEAT RESISTANT NYLON 46
COLOR-RED
- 3. MTG HOLE: .063 [1.60]

12.30.13	CHANGE AS PER ECN 13-121	F
12.04.08	CHANGE AS PER ECN 08-185	E
10.10.08	CHANGE AS PER ECN 08-170	D
8.17.06	CHANGE AS PER ECN 06-045	C
1.23.06	CHANGE AS PER ECN 06-009	B
DATE	DESCRIPTION	REV.

KEYSTONE ELECTRONICS CORP.			
www.keyelco.com • NEW HYDE PARK NY 11040 • Tel (516)328-7500			
PART NAME PC TEST POINT - MULTIPURPOSE			
MATERIAL AS NOTED			
FINISH SILVER PLATE		DRN BY BOONE	DATE 6.19.95
		APP'D RH	SCALE 5X
TOLERANCES DECIMAL ANGULAR ± 1° UNLESS OTHERWISE SPECIFIED	INCH [MM] ± .005 [± 0.13]	CODE C	DWG NO. 5010