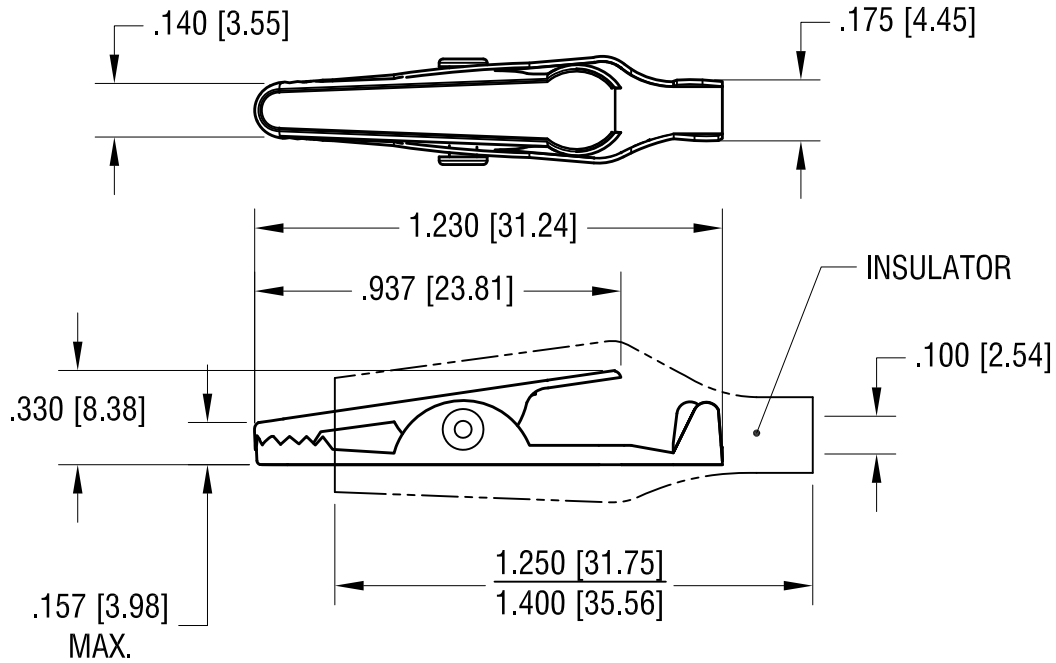
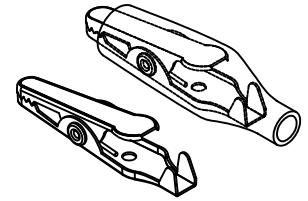


THIS DOCUMENT IS THE PROPERTY OF
KEYSTONE ELECTRONICS CORP. AND
SHALL NOT BE REPRODUCED, DISTRIBUTED
OR USED AS A BASIS FOR MANUFACTURE
WITHOUT PRIOR WRITTEN PERMISSION
FROM KEYSTONE ELECTRONICS CORP.

ACTUAL SIZE



NOTE:

1. PARTS ARE RoHS COMPLIANT
2. SUPPLIED UNASSEMBLED.

PART NO.	COLOR, VINYL INSULATOR
5033	NO INSULATOR
5034	RED
5035	BLACK
5036	GREEN
5037	YELLOW

DATE	DESCRIPTION	REV.
11.06.08	CHANGE AS PER ECN 08-175	B
10.28.93	UPDATE ALL DIME'S & TOLERANCES	A

KEYSTONE ELECTRONICS CORP.			
www.keyelco.com • NEW HYDE PARK, NY 11040 • Tel (516) 328-7500			
PART NAME			
SMALL ALLIGATOR CLIP			
MATERIAL			
STEEL			
FINISH		DRN BY	DATE
NICKEL PLATE		BOONE	11.18.82
		APP'D	SCALE
		RH	2X
TOLERANCES	INCH [MM]	CODE	DWG NO.
DECIMAL	± .020 [± 0.50]	C	5033-5037
ANGULAR	± 1°		
UNLESS OTHERWISE SPECIFIED			