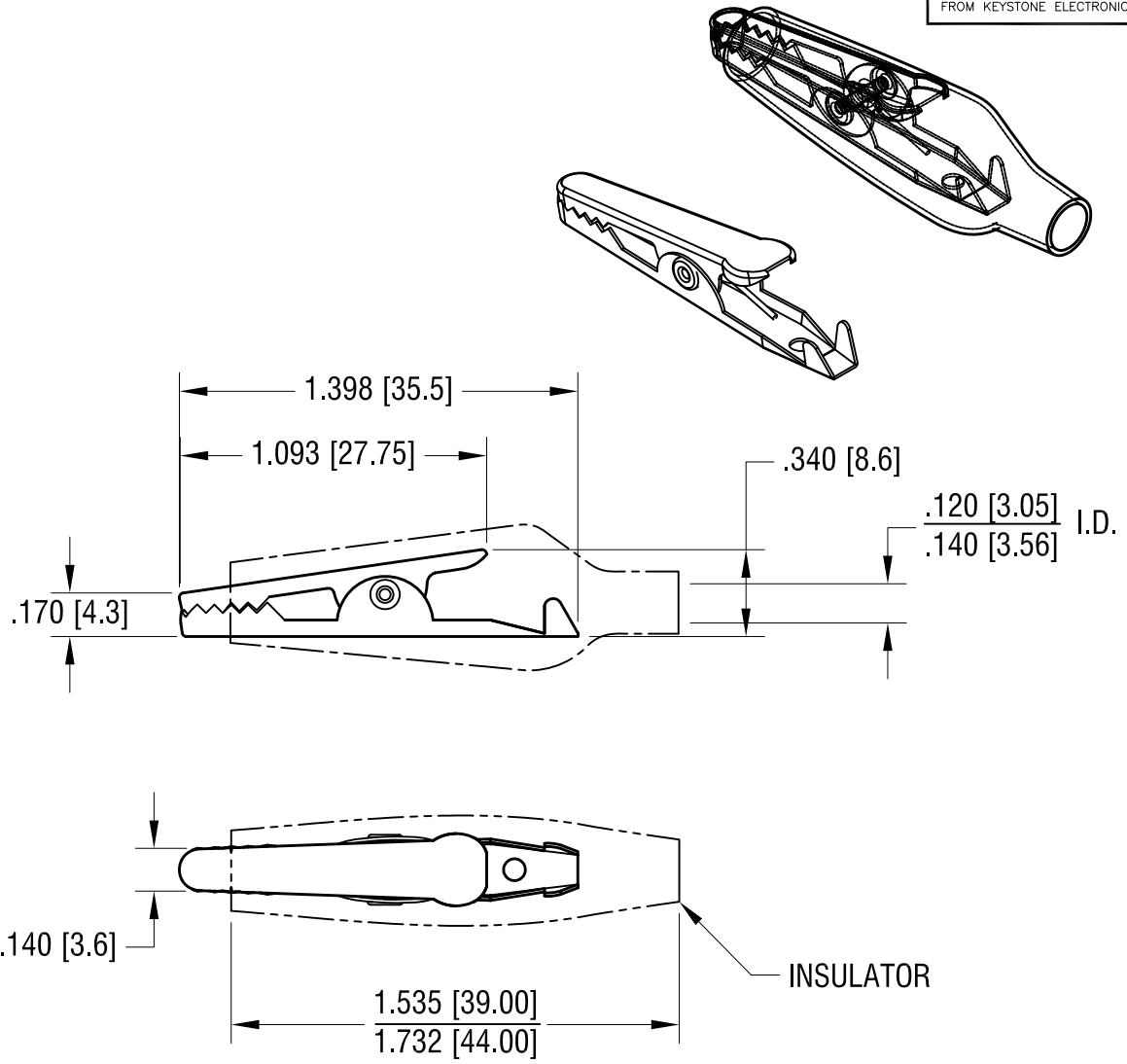


THIS DOCUMENT IS THE PROPERTY OF
KEYSTONE ELECTRONICS CORP. AND
SHALL NOT BE REPRODUCED, DISTRIBUTED
OR USED AS A BASIS FOR MANUFACTURE
WITHOUT PRIOR WRITTEN PERMISSION
FROM KEYSTONE ELECTRONICS CORP.



NOTE:
1. SUPPLIED UNASSEMBLED.

PART NUMBER	VINYL INSULATOR COLOR
5038	NO INSULATION
5039	RED
5040	BLACK

KEYSTONE ELECTRONICS CORP.
www.keyelco.com • NEW HYDE PARK NY 11040 • Tel (516)328-7500

PART NAME: ALLIGATOR CLIP

MATERIAL: STEEL

FINISH: NICKEL PLATE

DRN BY: NT
DATE: 8.29.08

APP'D: RH
SCALE: 1.5X

TOLERANCES INCH [MM]
DECIMAL ± .020 [± 0.50]
ANGULAR ± 1°
UNLESS OTHERWISE SPECIFIED

CODE: C

DWG NO.: 5038-5040

DATE	DESCRIPTION	REV.
------	-------------	------