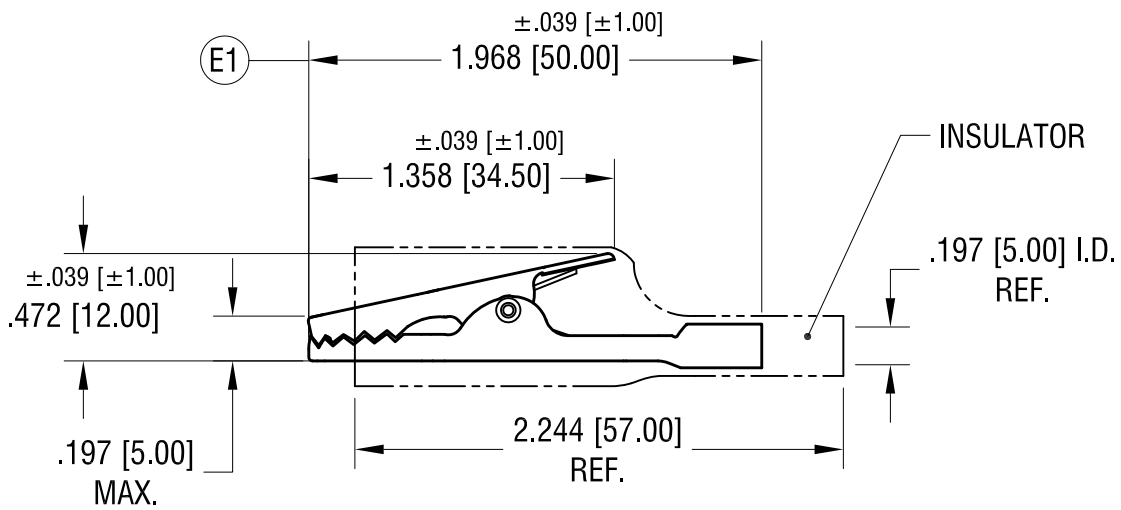
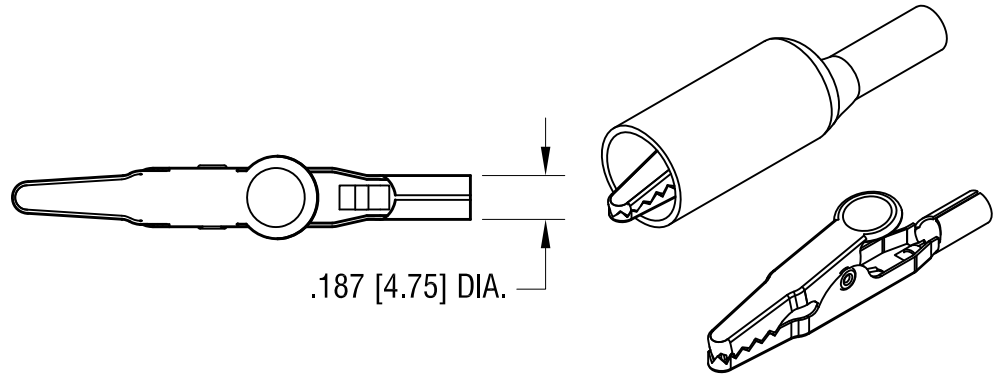


THIS DOCUMENT IS THE PROPERTY OF KEYSTONE ELECTRONICS CORP. AND SHALL NOT BE REPRODUCED, DISTRIBUTED OR USED AS A BASIS FOR MANUFACTURE WITHOUT PRIOR WRITTEN PERMISSION FROM KEYSTONE ELECTRONICS CORP.

ACTUAL SIZE



NOTE:

1. SUPPLIED UNASSEMBLED.

PART NO.	COLOR, PVC INSULATOR
5044	NO INSULATOR
5045	RED
5046	BLACK

KEYSTONE ELECTRONICS CORP.

www.keyelco.com • NEW HYDE PARK NY 11040 • Tel (516)328-7500

PART NAME				LARGE ALLIGATOR CLIP	
MATERIAL				STEEL	
FINISH				DRN BY	DATE
NICKEL PLATE				NT	10.30.08
				APP'D	SCALE
				RH	1.2X
TOLERANCES		INCH [MM]	CODE	DWG NO.	
DECIMAL		± .020 [± 0.50]	C	5044-5046	
ANGULAR		± 1°			
UNLESS OTHERWISE SPECIFIED					

6.02.26	UPDATED DIMENSIONS. E1 WAS 2.007 [51.00]	E
DATE	DESCRIPTION	REV.