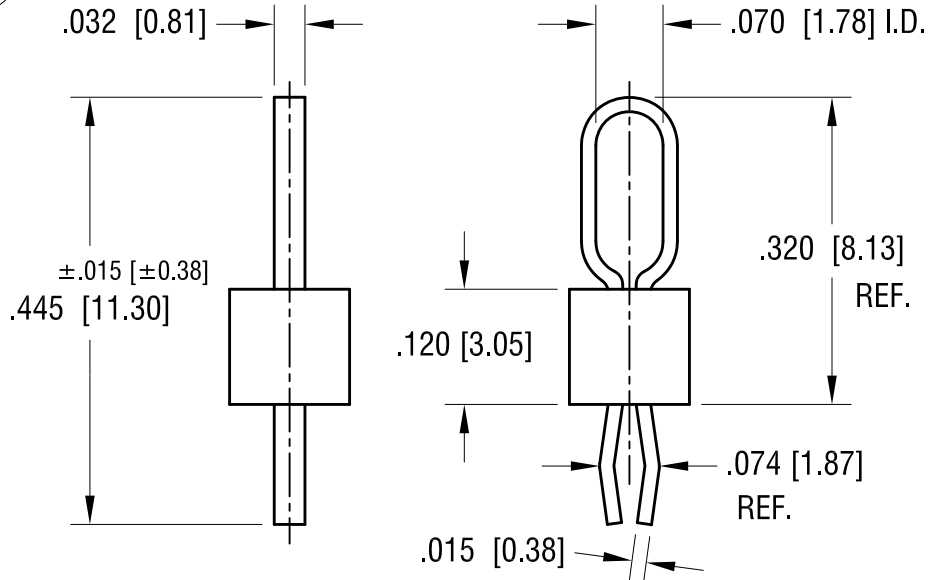
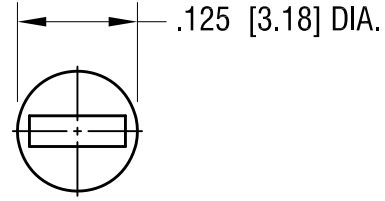
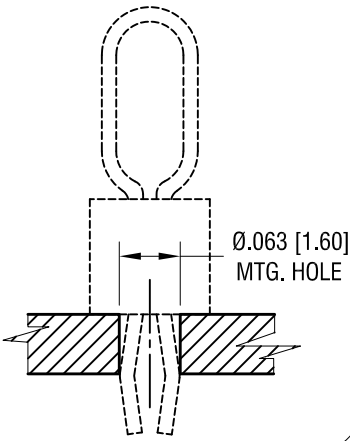


THIS DOCUMENT IS THE PROPERTY OF KEYSTONE ELECTRONICS CORP. AND SHALL NOT BE REPRODUCED, DISTRIBUTED OR USED AS A BASIS FOR MANUFACTURE WITHOUT PRIOR WRITTEN PERMISSION FROM KEYSTONE ELECTRONICS CORP.

ACTUAL SIZE



MTG. DETAIL



NOTES:

1. TERMINAL:
MAT'L - PHOSPHOR BRONZE WIRE
2. BASE:
MAT'L - HEAT RESISTANT NYLON 46
3. MTG HOLE: .063 [1.60]
4. OPERATING TEMP: -50°F TO 185°F
(-45°C TO 85°C)

PART NO.	BASE COLOR
5125	BROWN
5126	GREEN
5127	BLUE
5128	GREY
5129	PURPLE

DATE	DESCRIPTION	REV.
12.30.13	CHANGE AS PER ECN 13-123	D
1.31.13	CHANGE AS PER ECN 13-014	C
1.29.13	CHANGE AS PER ECN 13-009	B
12.14.10	CHANGE AS PER ECN 10-086	A

KEYSTONE ELECTRONICS CORP.
www.keyelco.com • NEW HYDE PARK NY 11040 • Tel (516)328-7500

PART NAME: PC TEST POINT - MULTIPURPOSE

MATERIAL: AS NOTED

FINISH: SILVER PLATE

DRN BY: NT DATE: 4.22.08

APP'D: RH SCALE: 5X

TOLERANCES INCH [MM]
DECIMAL ± .005 [± 0.13]
ANGULAR ± 1°
UNLESS OTHERWISE SPECIFIED

CODE: C

DWG NO.: 5125-5129