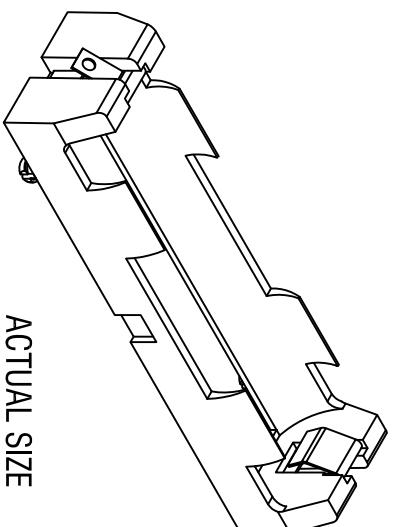


- NOTE:
1. BASE:
MAT'L: PBT, UL 94V-0 (GRAY COLOR)
 2. CONTACT:
MAT'L: .012 [0.30] THK STAINLESS STEEL
FINISH: TIN NICKEL PLATE
 3. CAN BE USED WITH BATTERIES WITH
CIRCUIT PROTECTION: 67mm MAX. LENGTH



ACTUAL SIZE

DATE	DESCRIPTION	REV.
1.19.15	CHANGE AS PER ECN 15-011	A
11.14.19	CHANGE AS PER ECN 19-087 BASE MAT'L WAS NYLON	B
11.16.20	CHANGE AS PER ECN 21-003 BASE MAT'L WAS BLACK COLOR	C

KEYSTONE ELECTRONICS CORP.

www.keystone.com • NEW HYDE PARK, NY 11040 • Tel (516) 328-7500

PART NAME

SOLDER TAIL BATTERY HOLDER BASE, 18650

MATERIAL

AS NOTED

FINISH

AS NOTED

TOLERANCES	INCH	[MM]	CODE	DWG NO.
DECIMAL	± .010	[± 0.25]	C	1044
ANGULAR	± 1°			

THIS DOCUMENT IS THE PROPERTY OF
KEYSTONE ELECTRONICS CORP. AND
SHALL NOT BE REPRODUCED, DISTRIBUTED
OR USED AS A BASIS FOR MANUFACTURE
WITHOUT PRIOR WRITTEN PERMISSION
FROM KEYSTONE ELECTRONICS CORP.

DRN BY	DATE
NT	12.09.14

App'D **RH** SCALE 1.25X