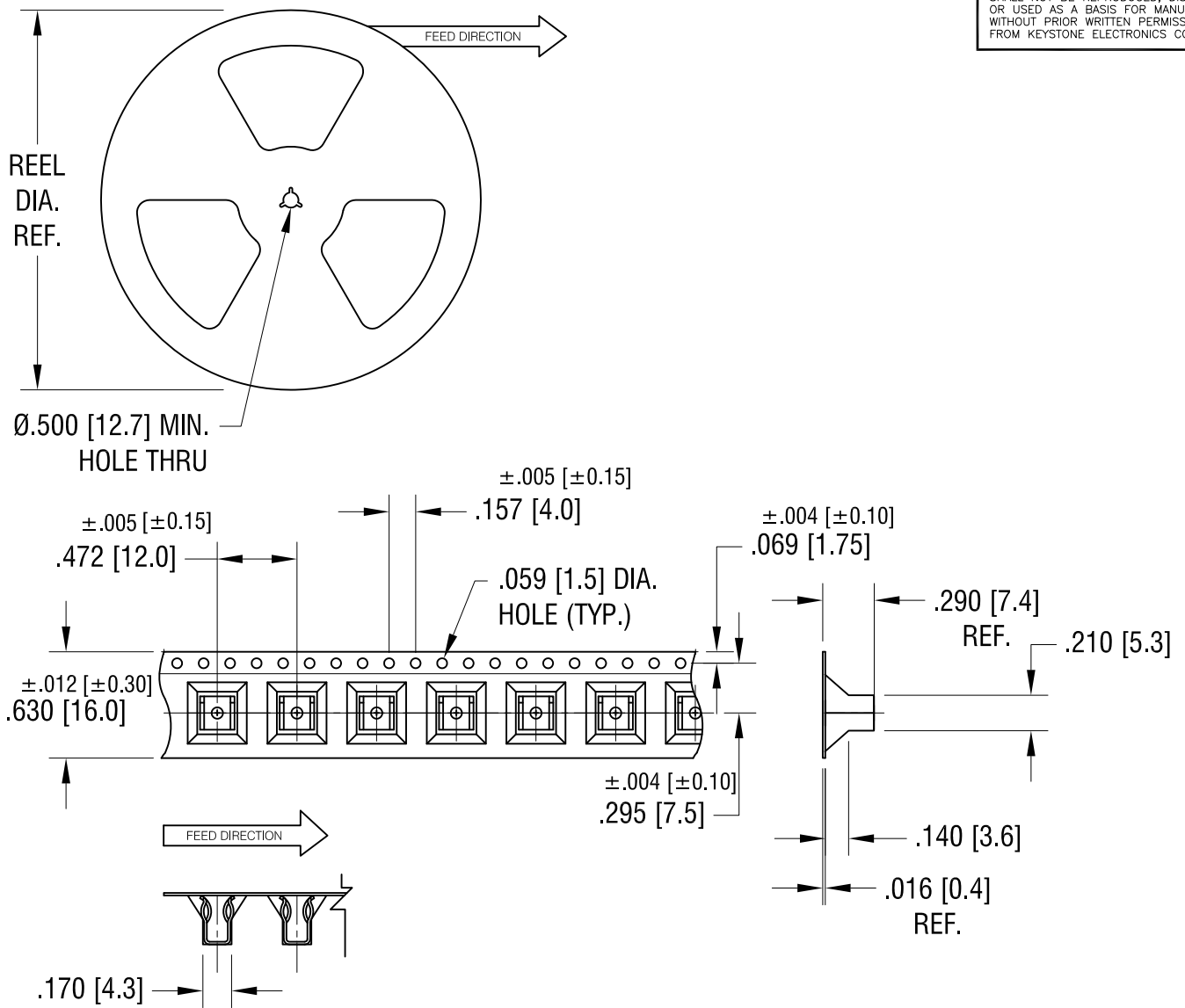


THIS DOCUMENT IS THE PROPERTY OF KEYSTONE ELECTRONICS CORP. AND SHALL NOT BE REPRODUCED, DISTRIBUTED OR USED AS A BASIS FOR MANUFACTURE WITHOUT PRIOR WRITTEN PERMISSION FROM KEYSTONE ELECTRONICS CORP.



NOTES:

TAPE AND REEL SPECIFICATIONS:

1. TAPE:

MAT'L - ALL CONDUCTIVE POLYSTYRENE CARRIER
ANSI/EIA-481 STANDARD
.630 [16.0] WIDE; .472 [12.0] PITCH

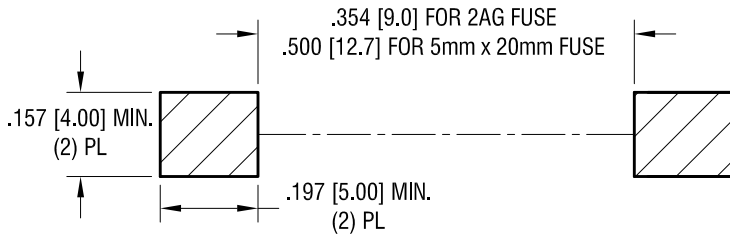
2. REEL:

13.0 [330.2] DIA. 700 PIECES OF
PART NO. 3561 PER REEL.

KEYSTONE ELECTRONICS CORP.			
www.keyelco.com • NEW HYDE PARK, NY 11040 • Tel (516) 328-7500			
PART NAME			
2AG/5mm SURFACE MOUNT FUSE, ON TAPE			
MATERIAL			
AS NOTED			
FINISH		DRN BY	DATE
AS NOTED		NT	7.22.08
		APP'D	SCALE
		LN	X
TOLERANCES	INCH	[MM]	CODE
DECIMAL	± .015	[± 0.38]	C
ANGULAR	± 1°		
UNLESS OTHERWISE SPECIFIED			
DWG NO.		3561TR	

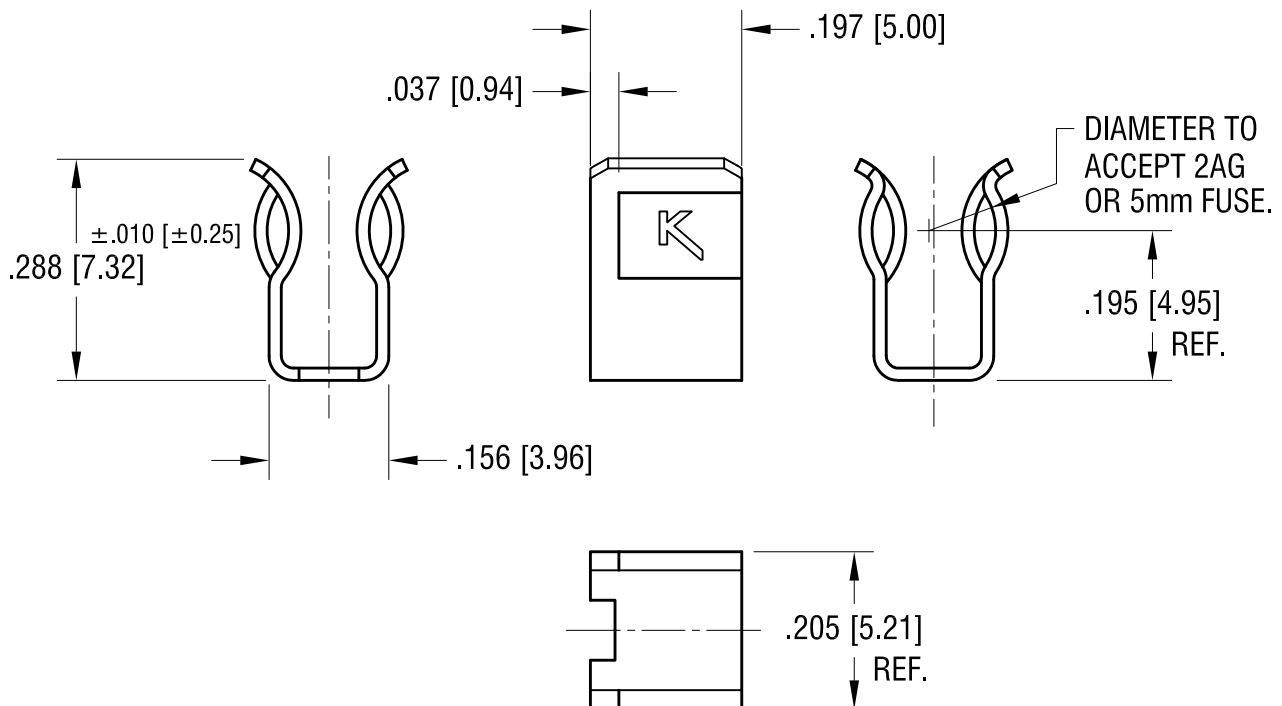
DATE	DESCRIPTION	REV.

PAD LAYOUT



THIS DOCUMENT IS THE PROPERTY OF KEYSTONE ELECTRONICS CORP. AND SHALL NOT BE REPRODUCED, DISTRIBUTED OR USED AS A BASIS FOR MANUFACTURE WITHOUT PRIOR WRITTEN PERMISSION FROM KEYSTONE ELECTRONICS CORP.

ACTUAL SIZE



KEY FILE NUMBER: E354010

<p>KEYSTONE ELECTRONICS CORP. www.keyelco.com • NEW HYDE PARK NY 11040 • Tel (516)328-7500</p>		
9.22.16	CHANGE AS PER ECN 16-087	E
9.12.12	CHANGE AS PER ECN 12-138	D
12.08.10	CHANGE AS PER ECN 10-08	C
6.08.09	CHANGE AS PER ECN 09-053	B
2.28.08	CHANGE AS PER ECN 08-091	A
DATE	DESCRIPTION	REV.
<p>PART NAME 2AG/5mm SURFACE MOUNT FUSE CLIP</p>		
<p>MATERIAL .016 [0.40] TH'K BRASS</p>		
<p>FINISH MATTE TIN PLATE</p>		<p>DRN BY BOONE DATE 4.02.98</p>
<p>TOLERANCES INCH [MM] DECIMAL ± .005 [± 0.13] ANGULAR ± 1° UNLESS OTHERWISE SPECIFIED</p>		<p>APP'D LN SCALE 4X</p>
<p>CODE C</p>		<p>DWG NO. 3561</p>