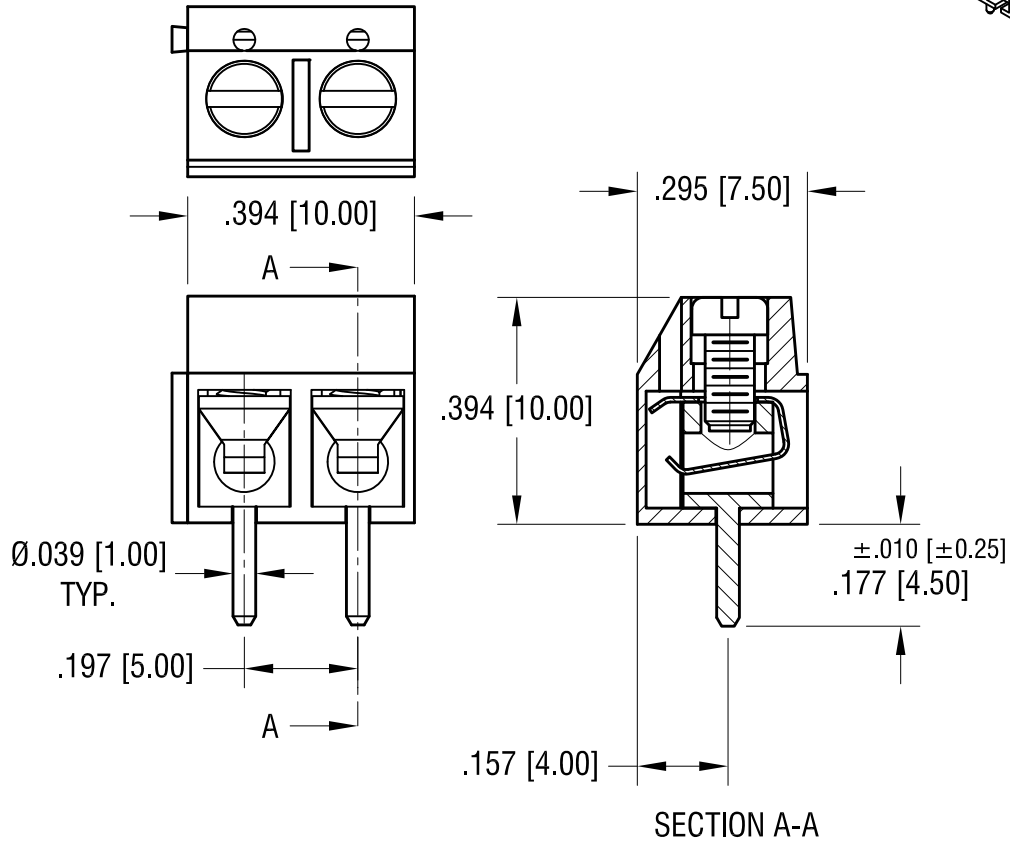
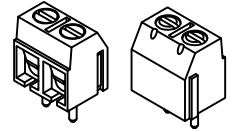


THIS DOCUMENT IS THE PROPERTY OF KEYSTONE ELECTRONICS CORP. AND SHALL NOT BE REPRODUCED, DISTRIBUTED OR USED AS A BASIS FOR MANUFACTURE WITHOUT PRIOR WRITTEN PERMISSION FROM KEYSTONE ELECTRONICS CORP.

**ACTUAL SIZE**



**NOTES:**

1. MAT'L:  
 HOUSING: PA66, UL 94V-0  
 CONTACT: BRASS, TIN PLATE  
 SCREW, CAPTIVATED: STEEL, ZINC PLATE
2. RECOMMENDED MOUNTING HOLE:  
 .047 [1.19] DIA. (2) PLS

7.26.22	MAT'L WAS PBT CHANGE AS PER ECN 22-131	A
DATE	DESCRIPTION	REV.

<b>KEYSTONE ELECTRONICS CORP.</b>			
www.keyelco.com • NEW HYDE PARK, NY 11040 • Tel (516) 328-7500			
PART NAME		5mm PC TERMINAL BLOCK	
MATERIAL		AS NOTED	
FINISH	AS NOTED	DRN BY	BOONE
		APP'D	RH
		DATE	7.23.98
		SCALE	3X
TOLERANCES	INCH [MM]	CODE	DWG NO.
DECIMAL	± .005 [± 0.13]	C	8718
ANGULAR	± 1°		
UNLESS OTHERWISE SPECIFIED			