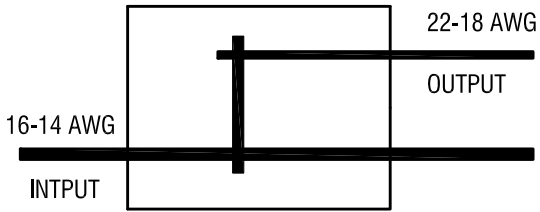
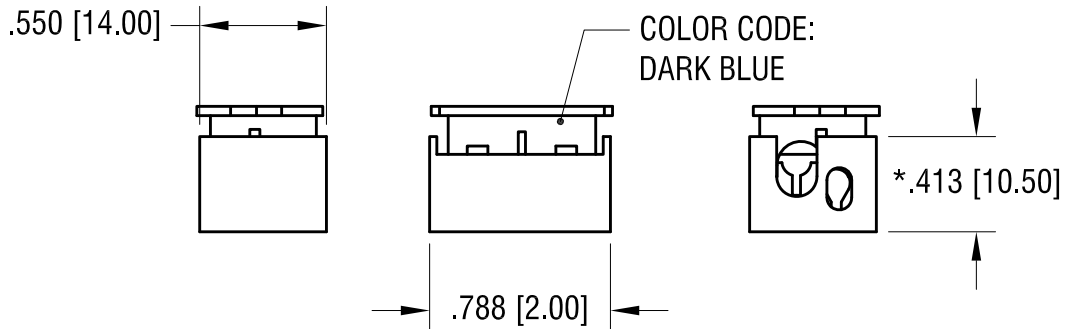
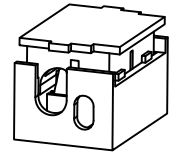


THIS DOCUMENT IS THE PROPERTY OF  
KEYSTONE ELECTRONICS CORP. AND  
SHALL NOT BE REPRODUCED, DISTRIBUTED  
OR USED AS A BASIS FOR MANUFACTURE  
WITHOUT PRIOR WRITTEN PERMISSION  
FROM KEYSTONE ELECTRONICS CORP.

**SCHMATIC**



**ACTUAL SIZE:**



**NOTE:**

1. INSULATION: MAT'L- POLYCARBONATE, LEXAN UL 94V-0
2. CONTACT: MAT'L- COPPER ALLOY  
FINISH- TIN PLATE, OVER NICKEL PLATE
3. FOR WIRE: SOLID WIRE  
WIRE SIZE: 16 AWG MIN. - 14 AWG MAX., INPUT  
22 AWG MIN. - 18 AWG MAX., OUTPUT
4. RATED VOLTAGE 300V  
RATED CURRENT: 5A
5. UL LISTED: E490623

\* HEIGHT OF CLOSED CONNECTOR

<b>KEYSTONE ELECTRONICS CORP.</b>			
www.keyelco.com • NEW HYDE PARK, NY 11040 • Tel (516) 328-7500			
PART NAME		T - SERIES WIRE CONNECTOR	
MATERIAL		AS NOTED	
FINISH		DRN BY	DATE
AS NOTED		NT	1.06.17
		APP'D	SCALE
		LN	1.2X
TOLERANCES	INCH	[MM]	CODE
DECIMAL	± .010	[± 0.25 ]	C
ANGULAR	± 1°		
UNLESS OTHERWISE SPECIFIED			DWG NO.
			<b>8383</b>

DATE	DESCRIPTION	REV.