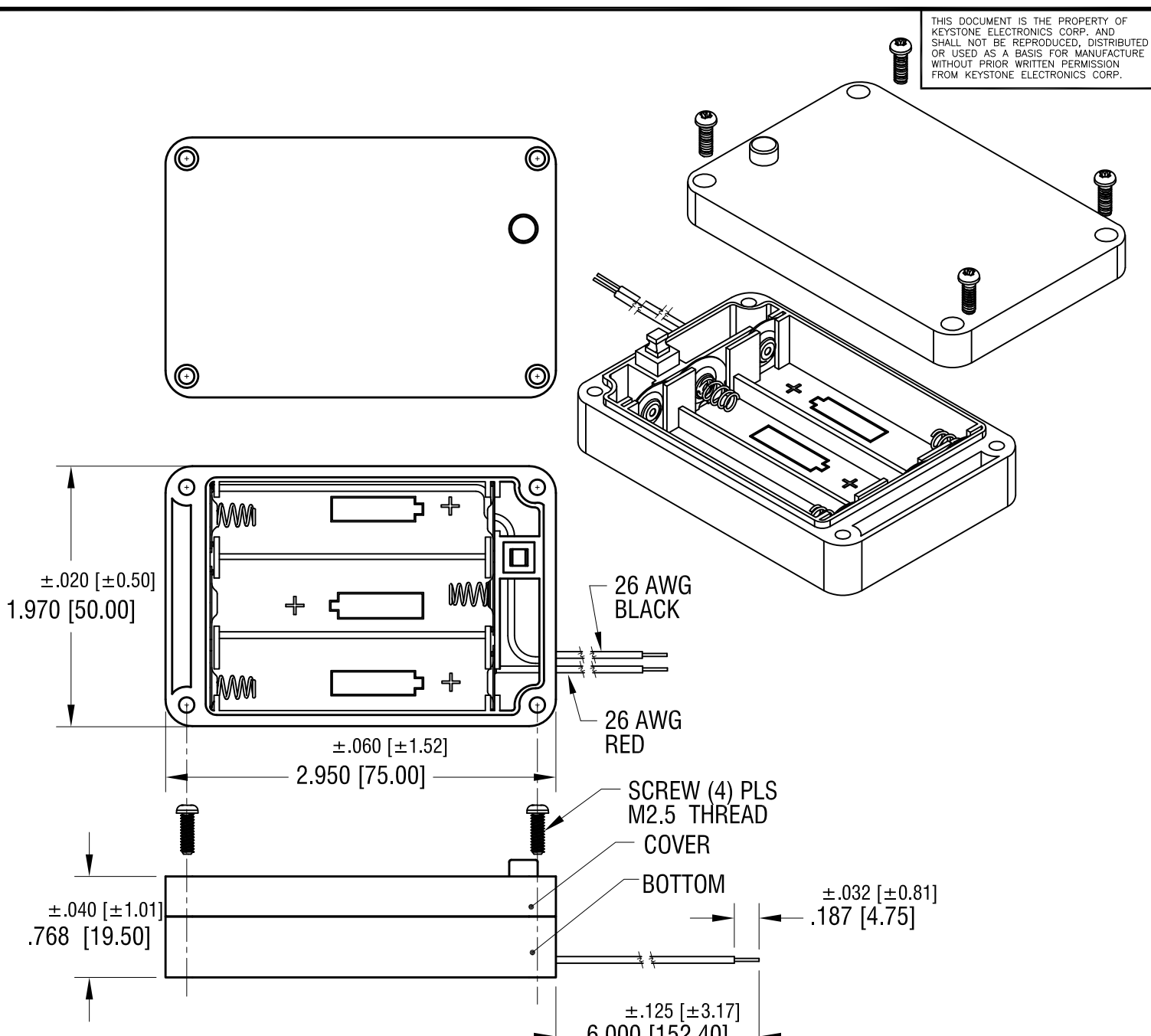


THIS DOCUMENT IS THE PROPERTY OF KEYSTONE ELECTRONICS CORP. AND SHALL NOT BE REPRODUCED, DISTRIBUTED OR USED AS A BASIS FOR MANUFACTURE WITHOUT PRIOR WRITTEN PERMISSION FROM KEYSTONE ELECTRONICS CORP.



**NOTE:**

1. HOLDER: MAT'L: ABS
2. SPRING: MAT'L: MUSIC WIRE, .020 [0.50] DIA.  
FINISH: NICKEL PLATE
3. SCREW: MAT'L- STEEL, ZINC PLATED
4. IP65 RATED FOR WATER, DUST AND HARSH ENVIRONMENTS

|  |        |             |         |
|--|--------|-------------|---------|
| <b>KEYSTONE ELECTRONICS CORP.</b>                              |        |             |         |
| www.keyelco.com • NEW HYDE PARK, NY 11040 • Tel (516) 328-7500 |        |             |         |
| PART NAME  |        |             |         |
| WATER RESISTANT BATTERY HOLDER (3) 'AA'                        |        |             |         |
| MATERIAL   |        |             |         |
| AS NOTED   |        |             |         |
| FINISH   |        | DRN BY      | DATE    |
| AS NOTED   |        | NT          | 5.09.18 |
|  |        | APP'D       | SCALE   |
|  |        | RH          | .9X     |
| TOLERANCES   | INCH   | [MM]        | CODE    |
| DECIMAL  | ± .010 | [± 0.25 ]   | C       |
| ANGULAR  | ± 1°   |             |         |
| UNLESS OTHERWISE SPECIFIED                                     |        |             |         |
| DWG NO.  |        | <b>2439</b> |         |

|      |             |      |
|------|-------------|------|
| DATE | DESCRIPTION | REV. |
|      |             |      |