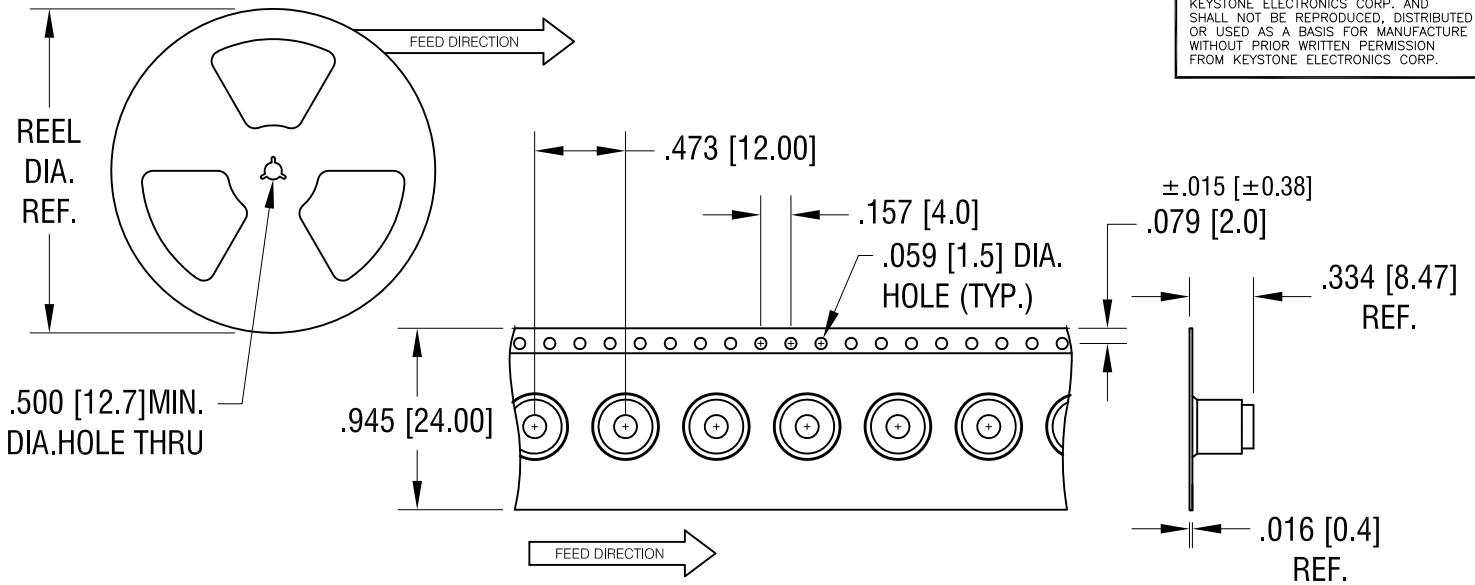
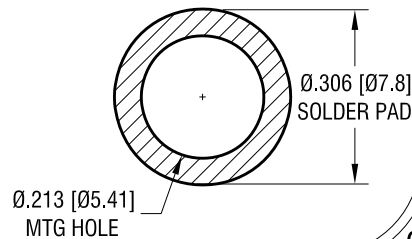


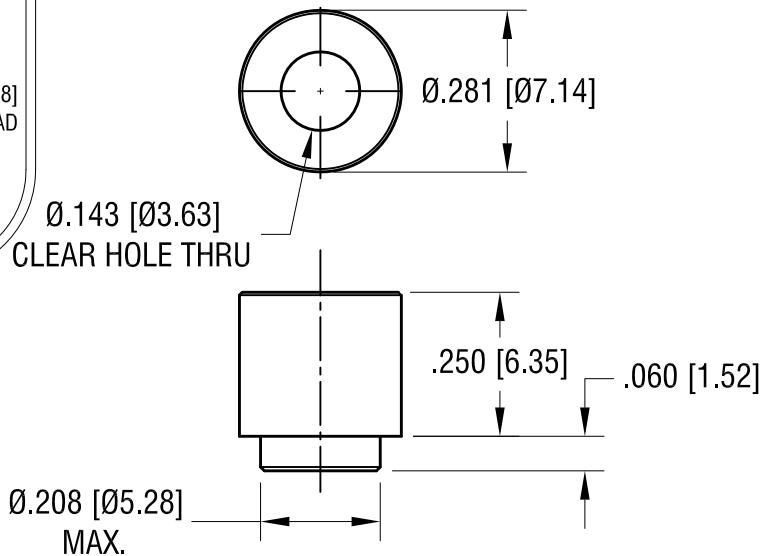
THIS DOCUMENT IS THE PROPERTY OF KEYSTONE ELECTRONICS CORP. AND SHALL NOT BE REPRODUCED, DISTRIBUTED OR USED AS A BASIS FOR MANUFACTURE WITHOUT PRIOR WRITTEN PERMISSION FROM KEYSTONE ELECTRONICS CORP.



MOUNTING DETAIL



ACTUAL SIZE



NOTES:

1. SUPPLIED ON TAPE AND REEL ONLY.
TAPE AND REEL SPECIFICATIONS:
2. TAPE:
MAT'L - ALL CONDUCTIVE POLYSTYRENE CARRIER
ANSI/EIA-481 STANDARD
3. REEL:
13" [330.2] DIA. 650 PIECES PER REEL
4. REELS TO BE SUPPLIED IN SEALED BAGS WITH VCI PROTECTION.
5. KAPTON TAPE ADDED TO TOP SURFACE OF STANDOFF.

KEYSTONE ELECTRONICS CORP.

www.keyelco.com • NEW HYDE PARK NY 11040 • Tel (516)328-7500

| | | | |
|----------------------------|--------|-------------|------|
| PART NAME | | SM STANDOFF | |
| MATERIAL | | STEEL | |
| FINISH | DRN BY | DATE | |
| MATTE TIN PLATE | NT | 1.03.17 | |
| | APP'D | SCALE | |
| | RH | 3X, 1X | |
| TOLERANCES | INCH | [MM] | CODE |
| DECIMAL | ± .005 | [± 0.13] | C |
| ANGULAR | ± 1° | | |
| UNLESS OTHERWISE SPECIFIED | | | |
| DWG NO. | | 4898 | |

| | | |
|---------|--------------------------|------|
| 7.29.24 | SPECIFIED VCI PACKAGING. | A |
| DATE | DESCRIPTION | REV. |