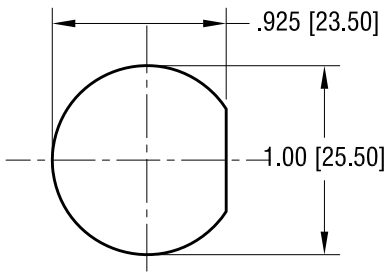
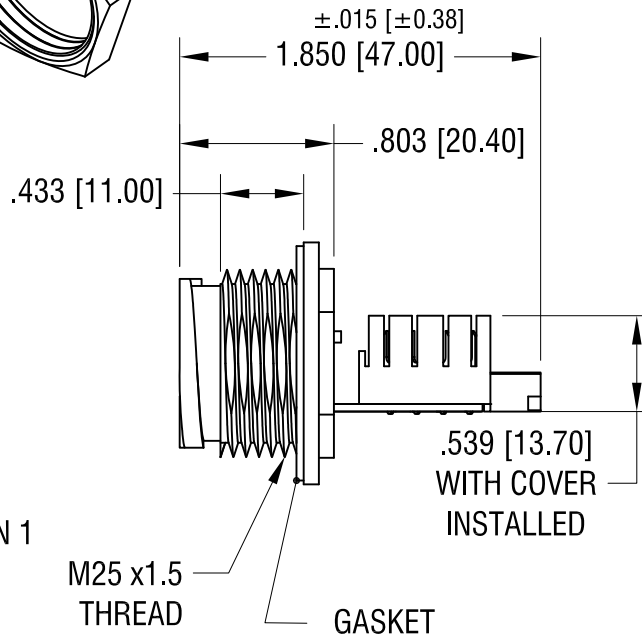
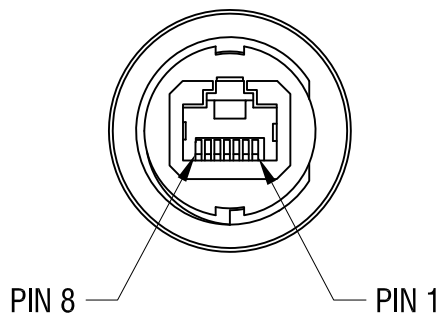
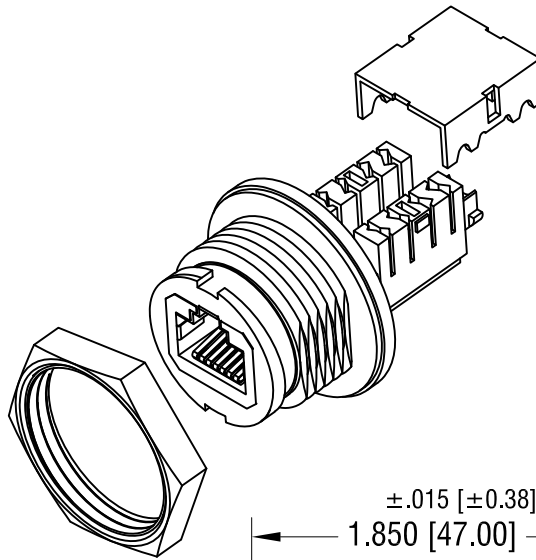


THIS DOCUMENT IS THE PROPERTY OF KEYSTONE ELECTRONICS CORP. AND SHALL NOT BE REPRODUCED, DISTRIBUTED OR USED AS A BASIS FOR MANUFACTURE WITHOUT PRIOR WRITTEN PERMISSION FROM KEYSTONE ELECTRONICS CORP.

PANEL CUT



ACTUAL SIZE



NOTE:

1. HOUSING: MAT'L- HIGH. TEMP. THERMOPLASTIC
UL 94V-0
2. CONTACT: MAT'L- PHOSPHOR BRONZE
FINISH ON SOLDER AREA: TIN PLATE, OVER NICKEL
FINISH ON CONTACT AREA: GOLD PLATE, OVER NICKEL
3. GASKET: MAT'L- SILICON (RED COLOR)
4. HEX. NUT 1.114 [28.30] x M25 x 1.5
AND COVER SUPPLIED UNASSEMBLED.

KEYSTONE ELECTRONICS CORP.

www.keyelco.com • NEW HYDE PARK, NY 11040 • Tel (516) 328-7500

PART NAME			
WATERPROOF KEYSTONE JACK, IP68			
MATERIAL			
AS NOTED			
FINISH	DRN BY	NT	DATE
-	APP'D	RH	12.21.18
TOLERANCES	INCH	[MM]	CODE
DECIMAL	± .010	[± 0.25]	DWG NO.
ANGULAR	± 1°		
UNLESS OTHERWISE SPECIFIED			C
			987

9.18.23	(A1) WAS 1.846 [46.90] CHANGE AS PER ECN 23-165	A
DATE	DESCRIPTION	REV.