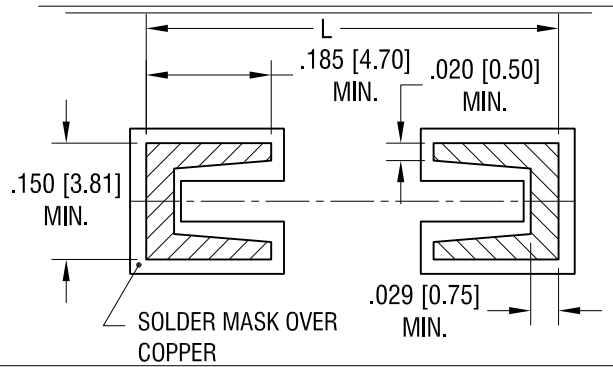


THIS DOCUMENT IS THE PROPERTY OF
KEYSTONE ELECTRONICS CORP. AND
SHALL NOT BE REPRODUCED, DISTRIBUTED
OR USED AS A BASIS FOR MANUFACTURE
WITHOUT PRIOR WRITTEN PERMISSION
FROM KEYSTONE ELECTRONICS CORP.

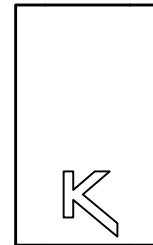
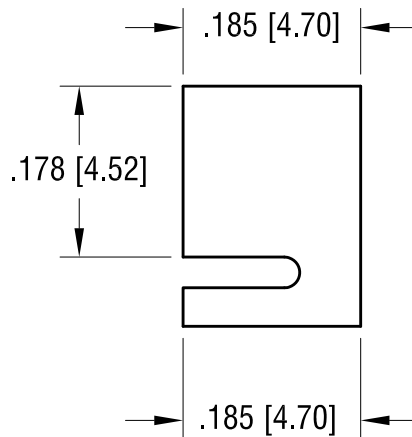
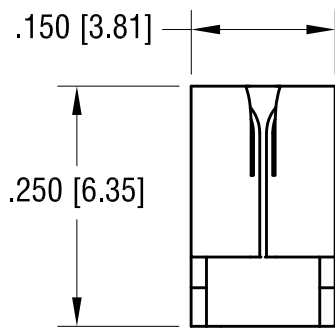
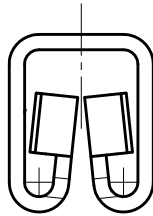
MOUNTING LAYOUT FOR TWO CLIPS

L = .580 [14.72] FOR MINI FUSES

L = .768 [19.5] FOR STANDARD AND LOW PROFILE FUSES



ACTUAL SIZE



KEYSTONE ELECTRONICS CORP.

www.keyelco.com • NEW HYDE PARK, NY 11040 • Tel (516) 328-7500

| | | | |
|----------------------------|-----------------|------------------------|---------|
| PART NAME | | AUTO FUSE CLIP | |
| MATERIAL | | .016 [0.41] TH'K BRASS | |
| FINISH | DRN BY | DATE | |
| MATTE TIN PLATE | NT | 6.06.18 | |
| | APP'D | SCALE | |
| | RH | 5X | |
| TOLERANCES | INCH [MM] | CODE | DWG NO. |
| DECIMAL | ± .005 [± 0.13] | C | |
| ANGULAR | ± 1° | | |
| UNLESS OTHERWISE SPECIFIED | | | |

| | | |
|---------|--------------------------|------|
| 2.01.23 | CHANGE AS PER ECN 23-012 | A |
| DATE | DESCRIPTION | REV. |

3584