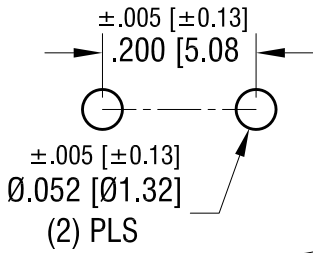
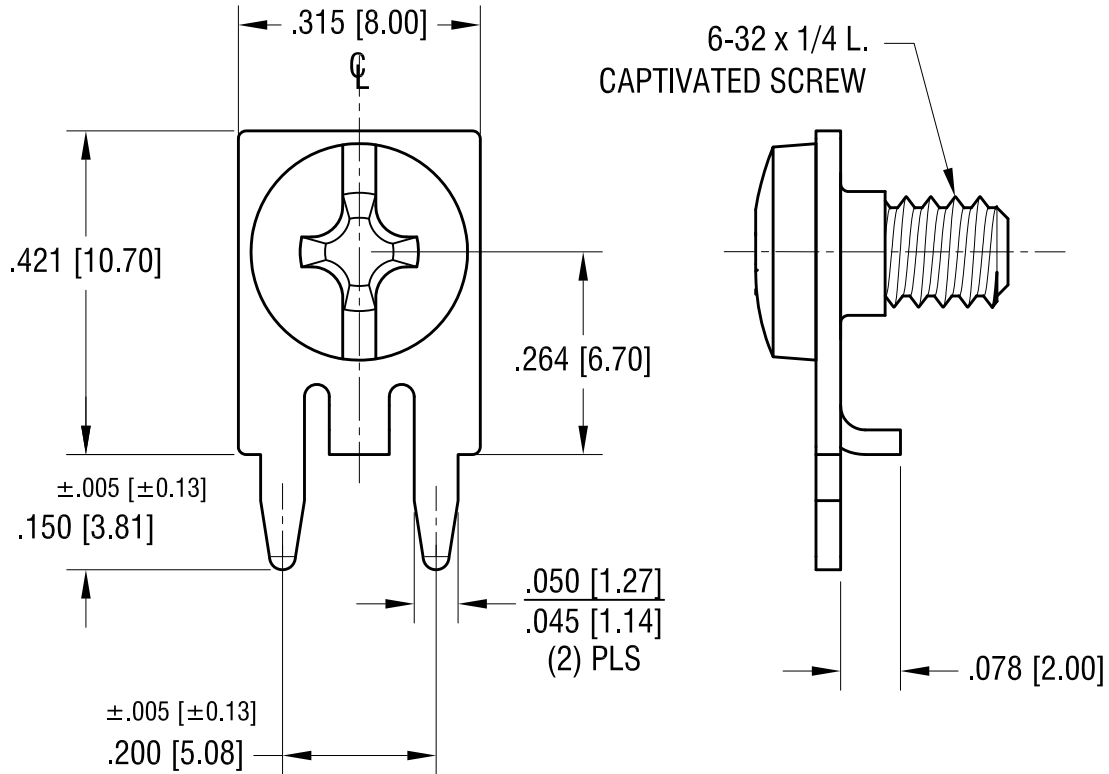
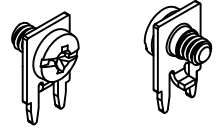


**MOUNTING DETAIL**



THIS DOCUMENT IS THE PROPERTY OF KEYSTONE ELECTRONICS CORP. AND SHALL NOT BE REPRODUCED, DISTRIBUTED OR USED AS A BASIS FOR MANUFACTURE WITHOUT PRIOR WRITTEN PERMISSION FROM KEYSTONE ELECTRONICS CORP.

**ACTUAL SIZE**



**NOTE:**

1. TERMINAL:  
MAT'L - .032 [0.81] TH'K BRASS, TIN PLATE
2. SCREW : 6-32 TH'D x 1/4 L.  
MAT'L - BRASS, NICKEL PLATE  
SCREW SUPPLIED CAPTIVATED

**PC SCREW TERMINAL WITH COLORED SCREW HEAD**

PART NO.	HEAD COLOR	PART NO.	HEAD COLOR
7757-2	RED	7757-5	BLUE
7757-3	BLACK	7757-6	GREEN
7757-4	WHITE	7757-7	YELLOW

**KEYSTONE ELECTRONICS CORP.**

www.keyelco.com • NEW HYDE PARK, NY 11040 • Tel (516) 328-7500

PART NAME

SCREW TERMINAL W/ COLORED SCREW HEAD

MATERIAL

AS NOTED

FINISH

AS NOTED

DRN BY

NT

DATE

3.14.19

APP'D

RH

SCALE

4X

TOLERANCES

INCH [MM]

DECIMAL ± .010 [± 0.25 ]

ANGULAR ± 1°

UNLESS OTHERWISE SPECIFIED

CODE

DWG NO.

C

**7757-2 - 7757-7**

DATE

DESCRIPTION

REV.