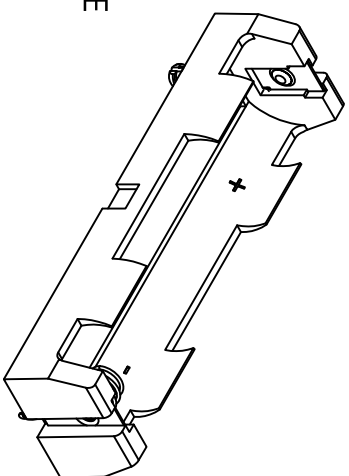


NOTE:  
 1. BASE:  
 MAT'L: PBT, UL 94V-0 (COLOR GRAY)  
 2. POSITIVE CONTACT:  
 MAT'L: .012 THK STAINLESS STEEL  
 FINISH: NICKEL PLATE

3. NEGATIVE CONTACT:  
 BASE- MAT'L: .012 THK STAINLESS STEEL  
 FINISH: NICKEL PLATE  
 SPRING- MAT'L: .020 [0.50] DIA. MUSIC WIRE  
 FINISH: NICKEL PLATE  
 4. CAN BE USED WITH BATTERIES WITH  
 CIRCUIT PROTECTION: 67mm MAX. LENGTH  
 BATTERY MUST HAVE POSITIVE CONTACT EXTENDED



DATE	DESCRIPTION	REV.
11.14.19	CHANGE AS PER ECN 19-086 BASE MAT'L WAS NYLON	A
5.07.21	ECN 21-040, UPDATE MTG LAYOUT (H1) WAS .630 [16.00]	B

**KEYSTONE ELECTRONICS CORP.**

www.keystone.com • NEW HYDE PARK, NY 11040 • Tel (516) 328-7500

PART NAME

THM BATTERY HOLDER, 18650

MATERIAL

AS NOTED

FINISH

AS NOTED

TOLERANCES	INCH	[MM]	CODE
DECIMAL	± .010	[± 0.25]	C
ANGULAR	± 1°		

UNLESS OTHERWISE SPECIFIED

DRN BY	DATE	App'D	DWG NO.	SCALE
NT	12.14.18	RH	1131	1.25X

1131

THIS DOCUMENT IS THE PROPERTY OF  
 KEYSTONE ELECTRONICS CORP. AND  
 SHALL NOT BE REPRODUCED, DISTRIBUTED  
 OR USED AS A BASIS FOR MANUFACTURE  
 WITHOUT PRIOR WRITTEN PERMISSION  
 FROM KEYSTONE ELECTRONICS CORP.