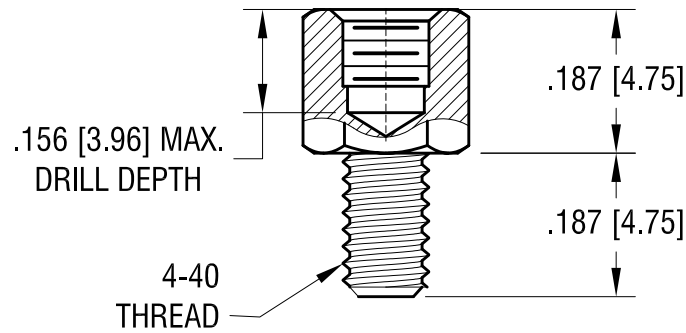
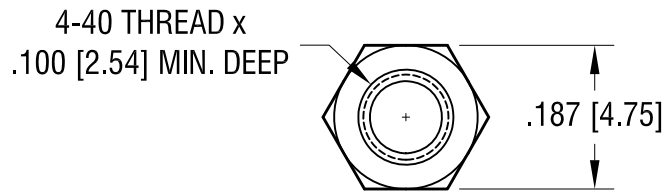


THIS DOCUMENT IS THE PROPERTY OF  
KEYSTONE ELECTRONICS CORP. AND  
SHALL NOT BE REPRODUCED, DISTRIBUTED  
OR USED AS A BASIS FOR MANUFACTURE  
WITHOUT PRIOR WRITTEN PERMISSION  
FROM KEYSTONE ELECTRONICS CORP.

ACTUAL SIZE



**NOTE:**

1. FINISH: ZINC PLATE  
TRIVALENT YELLOW CHROMATE

**KEYSTONE ELECTRONICS CORP.**

www.keyelco.com • NEW HYDE PARK, NY 11040 • Tel (516) 328-7500

PART NAME		JACK SCREW	
MATERIAL		STEEL	
FINISH		DRN BY	DATE
AS NOTED		NT	4.22.19
		APP'D	SCALE
		RH	4X
TOLERANCES	INCH [MM]	CODE	DWG NO.
DECIMAL	± .005 [± 0.13]	C	7226
ANGULAR	± 1°		
UNLESS OTHERWISE SPECIFIED			

12.13.23	CHANGE AS PER ECN 23-308	A
DATE	DESCRIPTION	REV.