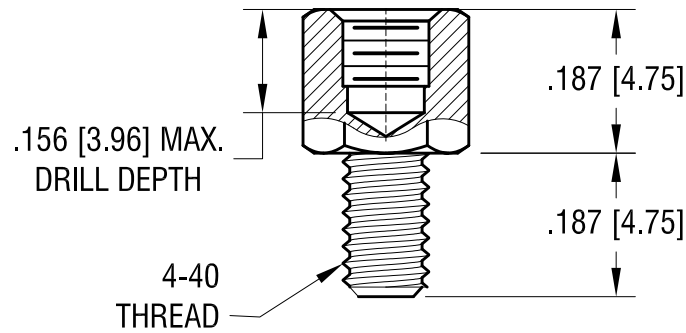
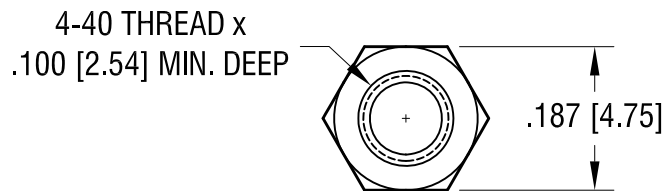


THIS DOCUMENT IS THE PROPERTY OF
KEYSTONE ELECTRONICS CORP. AND
SHALL NOT BE REPRODUCED, DISTRIBUTED
OR USED AS A BASIS FOR MANUFACTURE
WITHOUT PRIOR WRITTEN PERMISSION
FROM KEYSTONE ELECTRONICS CORP.

ACTUAL SIZE



KEYSTONE ELECTRONICS CORP.

www.keyelco.com • NEW HYDE PARK, NY 11040 • Tel (516) 328-7500

PART NAME		JACK SCREW	
MATERIAL		STEEL	
FINISH		DRN BY	DATE
ZINC PLATE CLEAR CHROMATE		NT	4.22.19
		APP'D	SCALE
		RH	4X
TOLERANCES	INCH [MM]	CODE	DWG NO.
DECIMAL	± .005 [± 0.13]	C	7226-5
ANGULAR	± 1°		
UNLESS OTHERWISE SPECIFIED			

12.13.23 CHANGE AS PER ECN 23-307

A

DATE DESCRIPTION

REV.