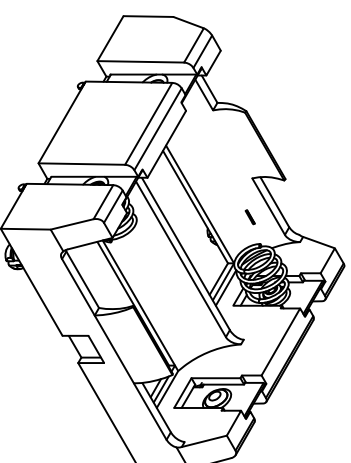
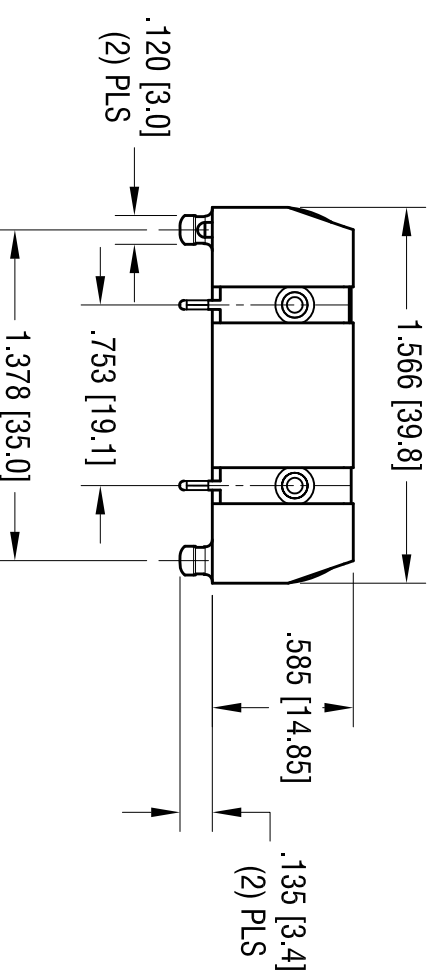
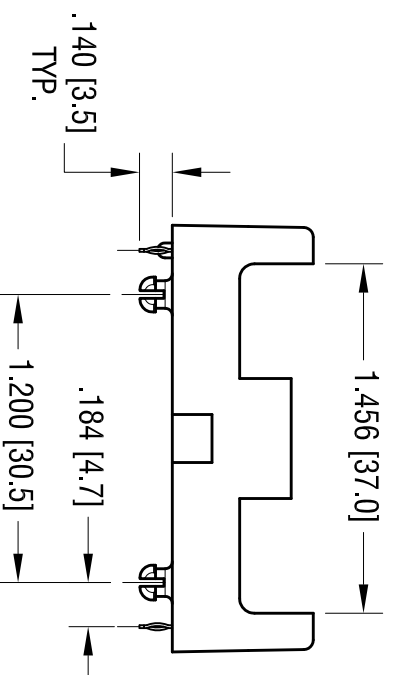
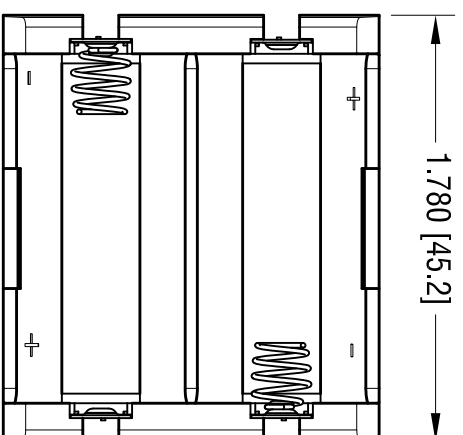
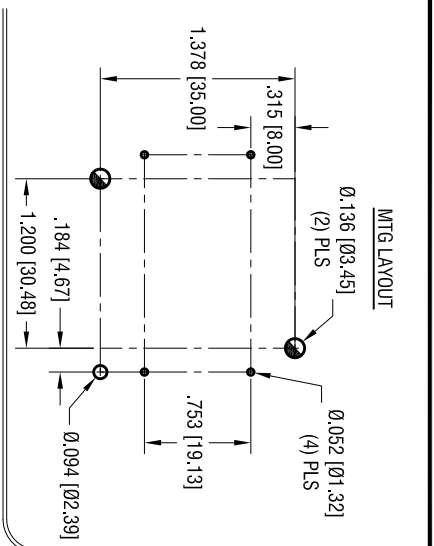


DATE

DESCRIPTION

REV.



ACTUAL SIZE

- NOTE:
1. BASE:  
MAT'L: HEAT RESISTANCE NYLON  
STANLYL 46 OR EQUIVALENT
  2. CONTACT:  
MAT'L: .012 THK STAINLESS STEEL  
FINISH: NICKEL PLATE
  3. SPRING: .020 DIA. MUSIC WIRE, NICKEL PLATE  
SPRING EYELETED TO BASE

**KEYSTONE ELECTRONICS CORP.**

www.keystec.com • NEW HYDE PARK, NY 11040 • Tel (516) 328-7500

PART NAME

DUAL THM BATTERY HOLDER

MATERIAL

AS NOTED

FINISH

AS NOTED

TOLERANCES INCH [MM]  
DECIMAL ± .010 [± 0.25]  
ANGULAR ± 1°

CODE

C

DWG NO.

1137

DRN BY

NT

DATE

7.08.19

APP'D

RH

SCALE

1.25X