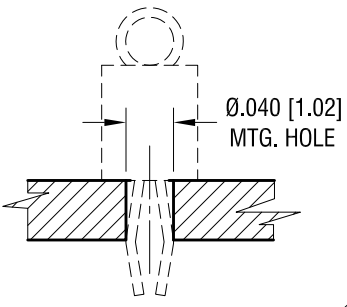


THIS DOCUMENT IS THE PROPERTY OF
KEYSTONE ELECTRONICS CORP. AND
SHALL NOT BE REPRODUCED, DISTRIBUTED
OR USED AS A BASIS FOR MANUFACTURE
WITHOUT PRIOR WRITTEN PERMISSION
FROM KEYSTONE ELECTRONICS CORP.

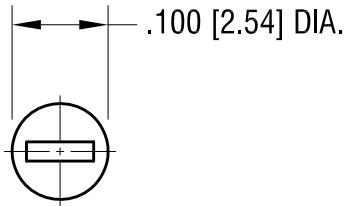
ACTUAL SIZE



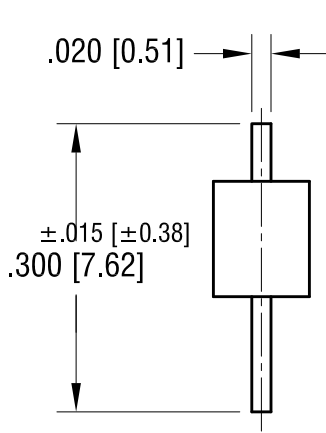
MTG. DETAIL



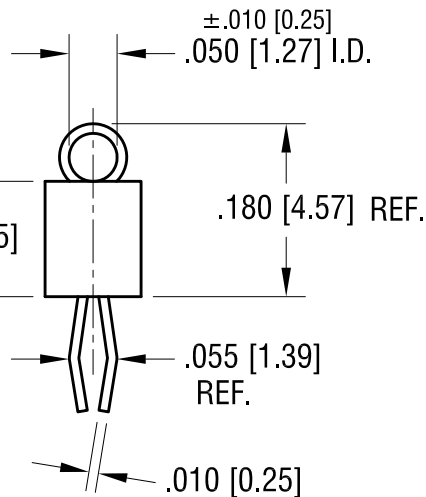
Ø.040 [1.02]
MTG. HOLE



.100 [2.54] DIA.



±.015 [±0.38]
.300 [7.62]



±.010 [0.25]
.050 [1.27] I.D.

.180 [4.57] REF.

.055 [1.39]
REF.

.010 [0.25]

| PART NO. | BASE COLOR |
|----------|------------|
| 5260 | RED |
| 5261 | BLACK |
| 5262 | WHITE |
| 5263 | ORANGE |
| 5264 | YELLOW |

NOTES:

1. TERMINAL:

MAT'L - PHOSPHOR BRONZE WIRE

BASE:

MAT'S - HEAT RESISTANT NYLON 46

KEYSTONE ELECTRONICS CORP.

www.keyelco.com • NEW HYDE PARK, NY 11040 • Tel (516) 328-7500

PART NAME

PC TEST POINT- MINIATURE

MATERIAL

AS NOTED

FINISH

MATTE TIN PLATE

DRN BY

NT

DATE

11.06.19

APP'D

RH

SCALE

5X

TOLERANCES

INCH [MM]

DECIMAL ± .005 [± 0.13]

ANGULAR ± 1°
UNLESS OTHERWISE SPECIFIED

CODE

C

DWG NO.

5260-5264

| DATE | DESCRIPTION | REV. |
|------|-------------|------|
| | | |