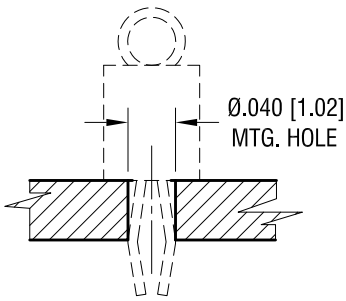


THIS DOCUMENT IS THE PROPERTY OF
KEYSTONE ELECTRONICS CORP. AND
SHALL NOT BE REPRODUCED, DISTRIBUTED
OR USED AS A BASIS FOR MANUFACTURE
WITHOUT PRIOR WRITTEN PERMISSION
FROM KEYSTONE ELECTRONICS CORP.

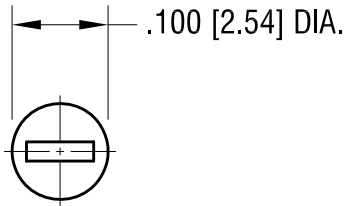
ACTUAL SIZE



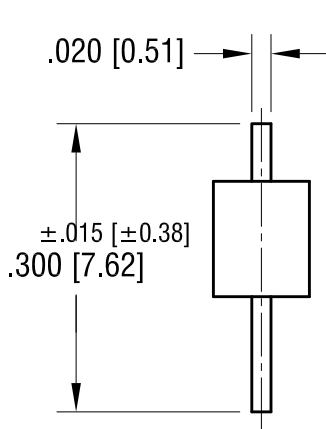
MTG. DETAIL



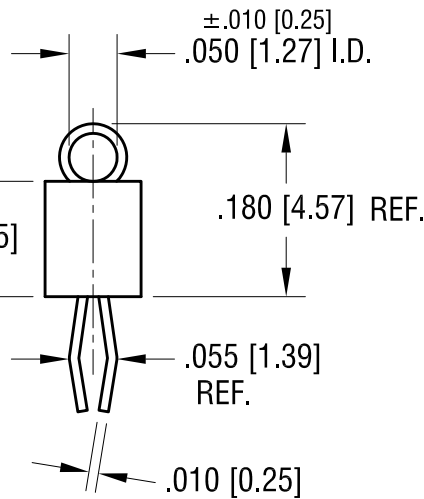
Ø.040 [1.02]
MTG. HOLE



.100 [2.54] DIA.



±.015 [±0.38]
.300 [7.62]



±.010 [0.25]

.050 [1.27] I.D.

.120 [3.05]

.180 [4.57] REF.

.055 [1.39]
REF.

.010 [0.25]

PART NO.	BASE COLOR
5265	BROWN
5266	GREEN
5267	BLUE
5268	GREY
5269	PURPLE

NOTES:

1. TERMINAL:

MAT'L - PHOSPHOR BRONZE WIRE

BASE:

MAT'S - HEAT RESISTANT NYLON 46

KEYSTONE ELECTRONICS CORP.

www.keyelco.com • NEW HYDE PARK, NY 11040 • Tel (516) 328-7500

PART NAME

PC TEST POINT- MINIATURE

MATERIAL

AS NOTED

FINISH

MATTE TIN PLATE

DRN BY

NT
RH

DATE

11.06.19

APP'D

SCALE

5X

TOLERANCES

INCH [MM]

DECIMAL ±.005 [±0.13]

ANGULAR ± 1°
UNLESS OTHERWISE SPECIFIED

CODE

C

DWG NO.

5265-5269

DATE	DESCRIPTION	REV.