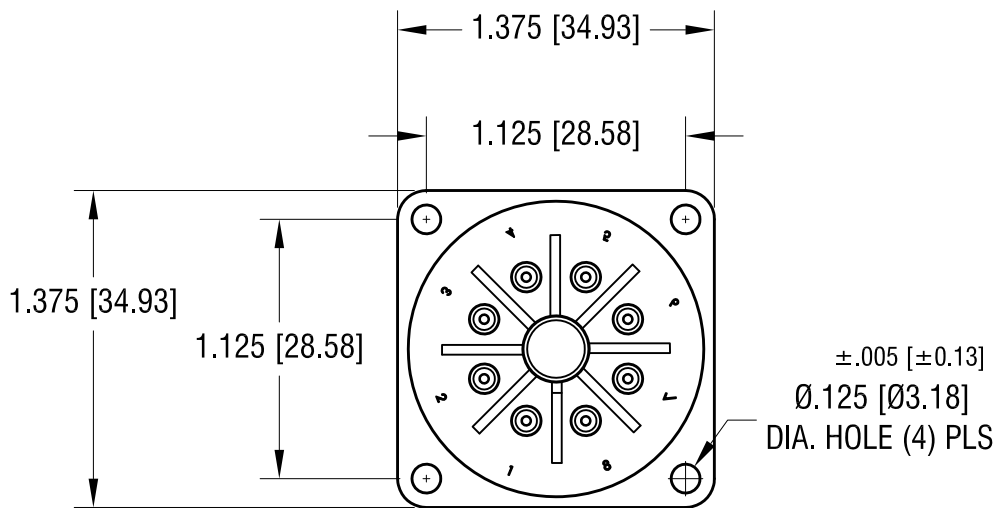
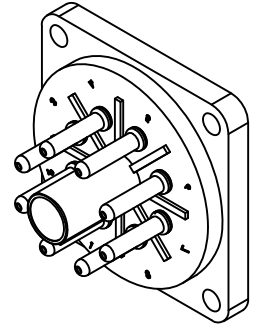
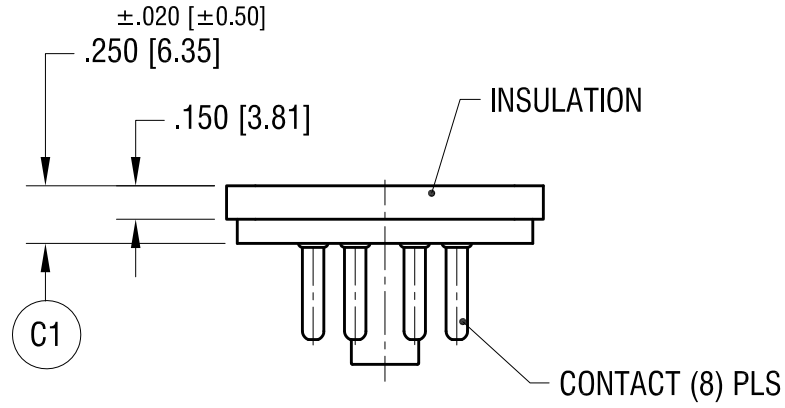


THIS DOCUMENT IS THE PROPERTY OF KEYSTONE ELECTRONICS CORP. AND SHALL NOT BE REPRODUCED, DISTRIBUTED OR USED AS A BASIS FOR MANUFACTURE WITHOUT PRIOR WRITTEN PERMISSION FROM KEYSTONE ELECTRONICS CORP.

ACTUAL SIZE



**NOTE:**

- 1. INSULATION: MAT'L- PHENOLIC
- 2. CONTACT: MAT'L- BRASS  
FINISH- TIN PLATE

1.14.22	(C1) WAS .278±.015 CHANGE AS PER ECN 22-028	C
6.15.20	CONTACT FINISH WAS NICKEL CHANGE AS PER ECN 20-052	B
8.03.11	CHANGE AS PER ECN 11-098	A
DATE	DESCRIPTION	REV.

<b>KEYSTONE ELECTRONICS CORP.</b>			
www.keyelco.com • NEW HYDE PARK, NY 11040 • Tel (516) 328-7500			
PART NAME		HEADER	
MATERIAL		AS NOTED	
FINISH		DRN BY	DATE
AS NOTED		NT	1.14.11
		APP'D	SCALE
		LN	1.2X
TOLERANCES	INCH [MM]	CODE	DWG NO.
DECIMAL	± .015 [± 0.38]	C	<b>681</b>
ANGULAR	± 1°		
UNLESS OTHERWISE SPECIFIED			