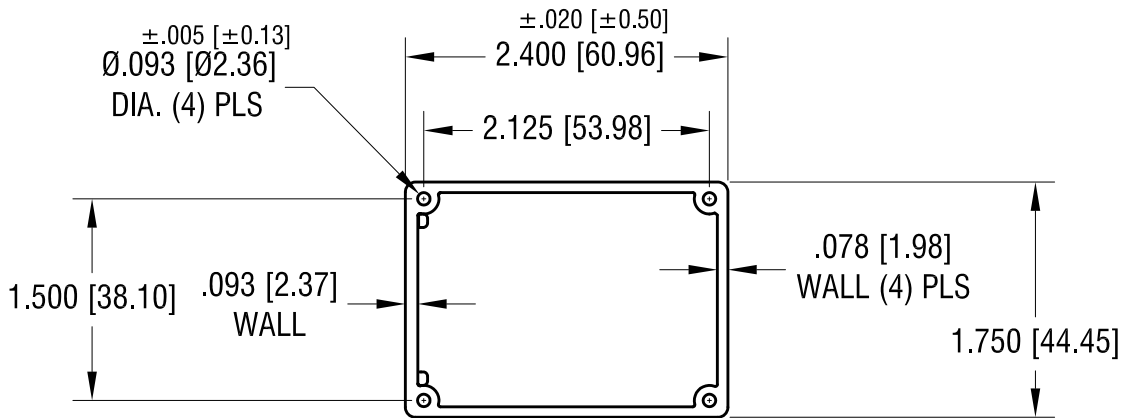
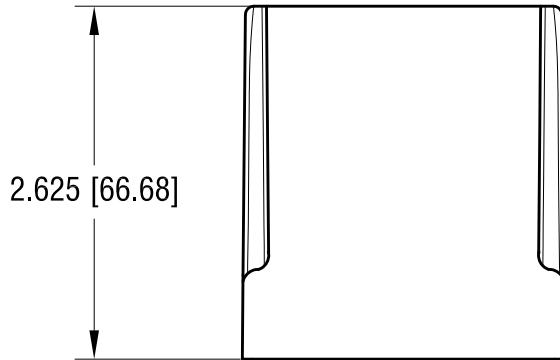
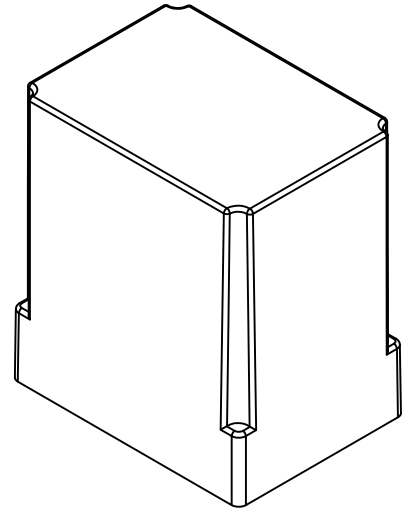


THIS DOCUMENT IS THE PROPERTY OF  
KEYSTONE ELECTRONICS CORP. AND  
SHALL NOT BE REPRODUCED, DISTRIBUTED  
OR USED AS A BASIS FOR MANUFACTURE  
WITHOUT PRIOR WRITTEN PERMISSION  
FROM KEYSTONE ELECTRONICS CORP.



3.18.24	MAT'L WAS POLYSTYRENE CHANGE AS PER PCN 24-022	B
8.03.11	REDRAWN IN CAD FORMAT	
5.12.97	CHANGE AS PER ECR 97-022	A
DATE	DESCRIPTION	REV.

<b>KEYSTONE ELECTRONICS CORP.</b>			
www.keyelco.com • NEW HYDE PARK NY 11040 • Tel (516)328-7500			
PART NAME		HOUSING	
MATERIAL		POLYCARBONATE (BLACK COLOR)	
FINISH	NONE	DRN BY LN	DATE 1.13.82
		APP'D RH	SCALE .7X
TOLERANCES	INCH [MM]	CODE	DWG NO.
DECIMAL	± .015 [± 0.38]	C	<b>711</b>
ANGULAR	± 1°		
UNLESS OTHERWISE SPECIFIED			