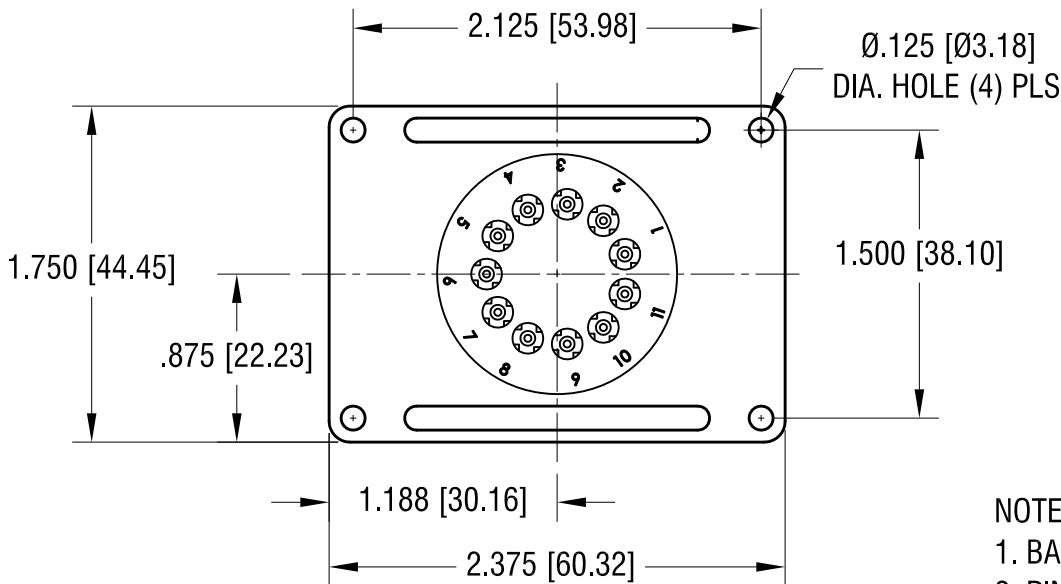
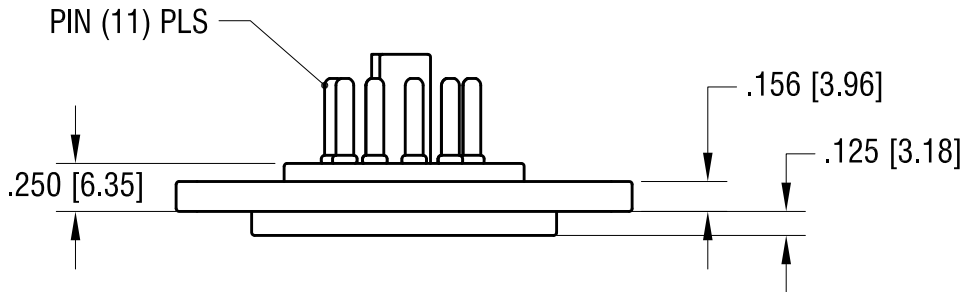
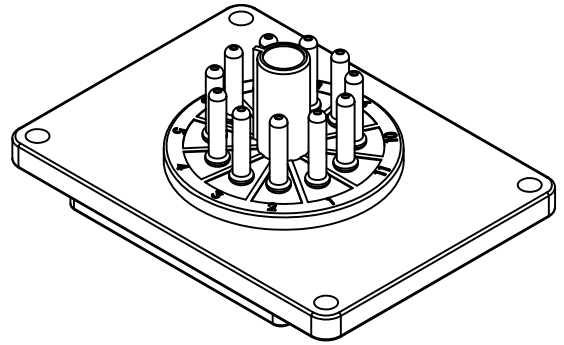
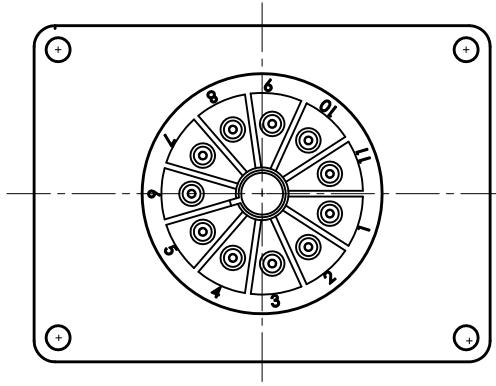


THIS DOCUMENT IS THE PROPERTY OF
KEYSTONE ELECTRONICS CORP. AND
SHALL NOT BE REPRODUCED, DISTRIBUTED
OR USED AS A BASIS FOR MANUFACTURE
WITHOUT PRIOR WRITTEN PERMISSION
FROM KEYSTONE ELECTRONICS CORP.



NOTE:
1. BASE- MAT'L: PHENOLIC
2. PIN- MAT'L: BRASS
FINISH: TIN PLATE

3.19.20	PIN PLATING WAS NICKEL CHANGE AS PER ECN 20-024	B
8.12.11	REDRAWN IN CAD FORMAT	
7.30.93	DELETED OBSOLETE P/N 715	A
DATE	DESCRIPTION	REV.

KEYSTONE ELECTRONICS CORP.			
www.keyelco.com • NEW HYDE PARK, NY 11040 • Tel (516) 328-7500			
PART NAME		HEADER	
MATERIAL		AS NOTED	
FINISH		DRN BY LN	DATE 3.15.82
AS NOTED		APP'D LN	SCALE 1X
TOLERANCES	INCH [MM]	CODE	DWG NO.
DECIMAL	± .015 [± 0.38]	C	714
ANGULAR	± 1°		
UNLESS OTHERWISE SPECIFIED			