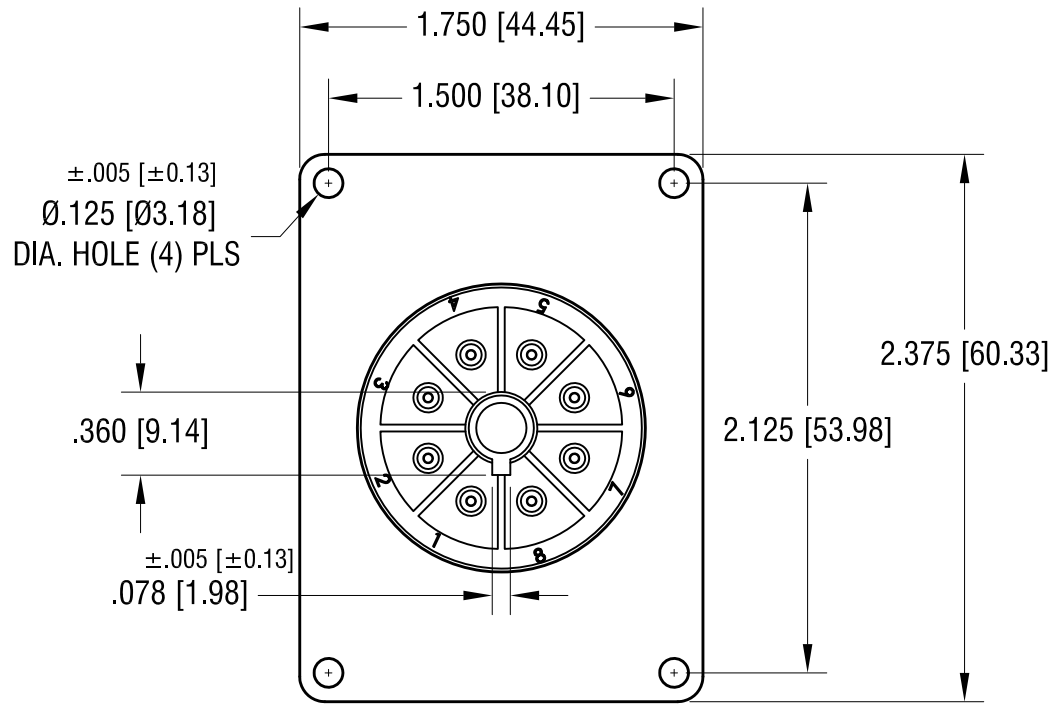
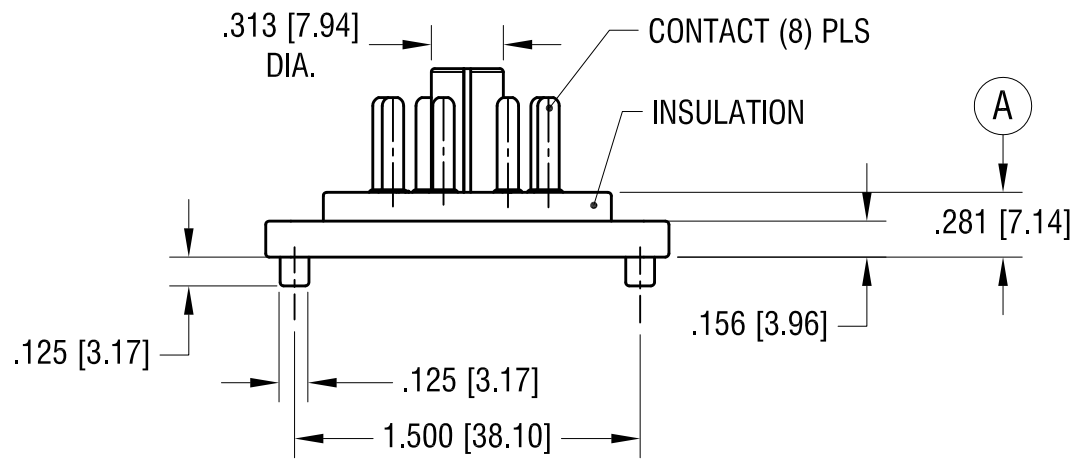
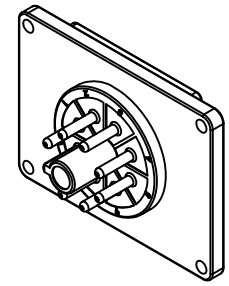


THIS DOCUMENT IS THE PROPERTY OF KEYSTONE ELECTRONICS CORP. AND SHALL NOT BE REPRODUCED, DISTRIBUTED OR USED AS A BASIS FOR MANUFACTURE WITHOUT PRIOR WRITTEN PERMISSION FROM KEYSTONE ELECTRONICS CORP.



SCALE: .5X



- NOTE:  
 1. INSULATION: MAT'L- PHENOLIC  
 2. CONTACT: MAT'L- BRASS  
 FINISH- TIN PLATE

|         |   |      |
|---------|---|------|
| 3.27.20 | WAS NICKEL PLATE PER ECN20-030                    | C    |
| 8.09.17 | NOTCH WAS BETWEEN 5&4<br>CHANGE AS PER ECN 17-052 | B    |
| 9.14.93 | ADD 1 DIMENSION                                   | A    |
| DATE    | DESCRIPTION                                       | REV. |

|  |                 |          |            |
|--|-----------------|----------|------------|
| <b>KEYSTONE ELECTRONICS CORP.</b>                            |                 |          |            |
| www.keyelco.com • NEW HYDE PARK NY 11040 • Tel (516)328-7500 |                 |          |            |
| PART NAME  |                 | HEADER   |            |
| MATERIAL   |                 | AS NOTED |            |
| FINISH   |                 | DRN BY   | DATE       |
| AS NOTED   |                 | LARRY    | 3.8.82     |
|  |                 | APP'D    | SCALE      |
|  |                 |          | 1.2X       |
| TOLERANCES   | INCH [MM]       | CODE     | DWG NO.    |
| DECIMAL  | ± .005 [± 0.13] | C        | <b>690</b> |
| ANGULAR  | ± 1°            |          |            |
| UNLESS OTHERWISE SPECIFIED                                   |                 |          |            |