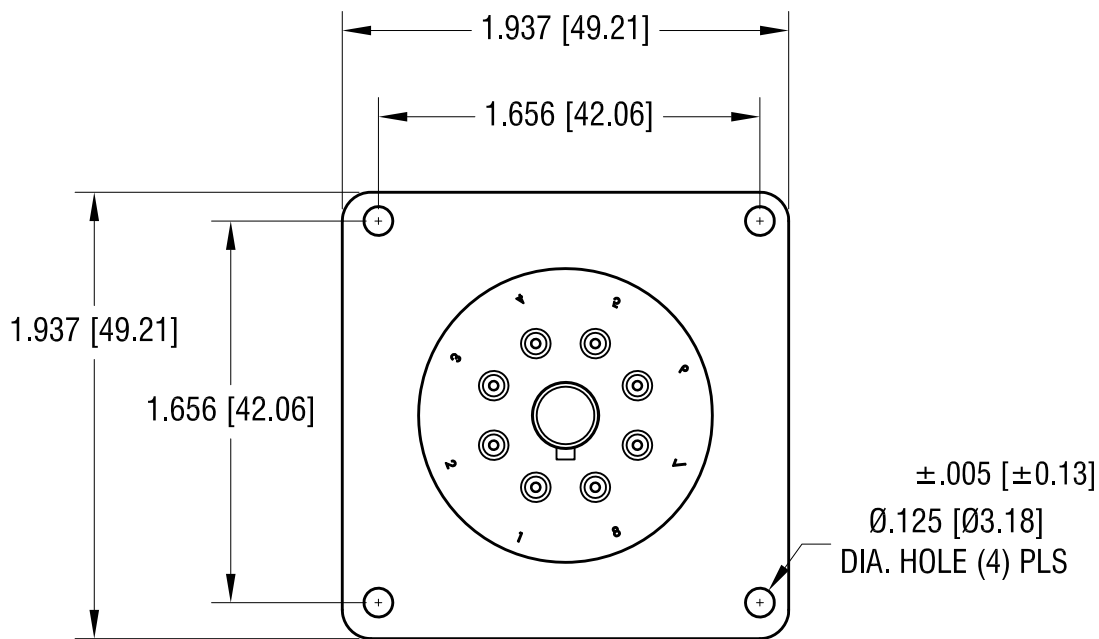
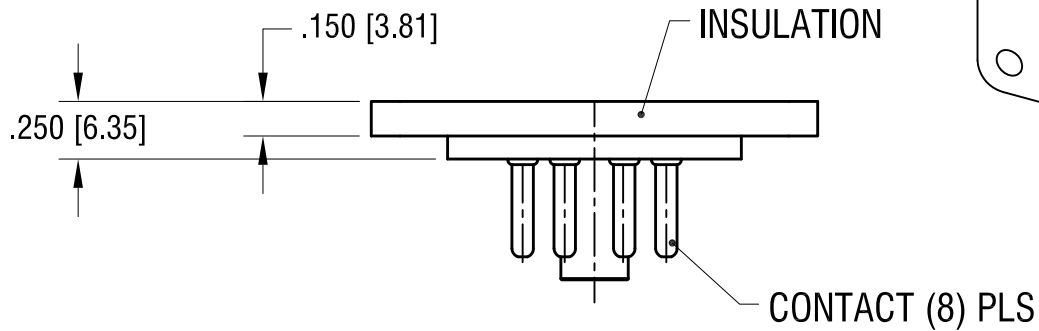
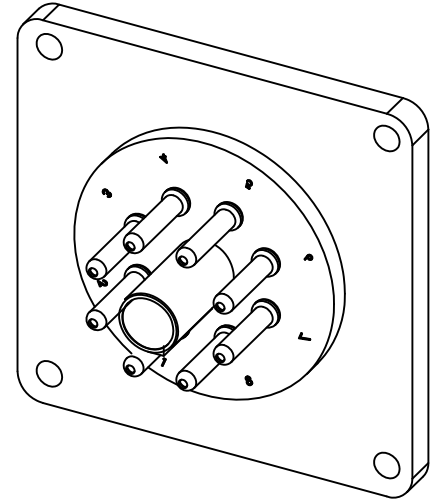


THIS DOCUMENT IS THE PROPERTY OF
KEYSTONE ELECTRONICS CORP. AND
SHALL NOT BE REPRODUCED, DISTRIBUTED
OR USED AS A BASIS FOR MANUFACTURE
WITHOUT PRIOR WRITTEN PERMISSION
FROM KEYSTONE ELECTRONICS CORP.



NOTE:

1. INSULATION: MAT'L- PHENOLIC
2. CONTACT: MAT'L- BRASS
FINISH- TIN PLATE

3.27.20	WAS NICKEL PLATED PER ECN 20-029	B
8.04.11	CHANGE AS PER ECN 11-099	A
DATE	DESCRIPTION	REV.

KEYSTONE ELECTRONICS CORP.			
www.keyelco.com • NEW HYDE PARK NY 11040 • Tel (516)328-7500			
PART NAME		HEADER	
MATERIAL		AS NOTED	
FINISH		DRN BY LARRY	DATE 8.04.11
AS NOTED		APP'D	SCALE 1.2X
TOLERANCES	INCH [MM]	CODE	DWG NO.
DECIMAL	± .005 [± 0.13]	C	685
ANGULAR	± 1°		
UNLESS OTHERWISE SPECIFIED			