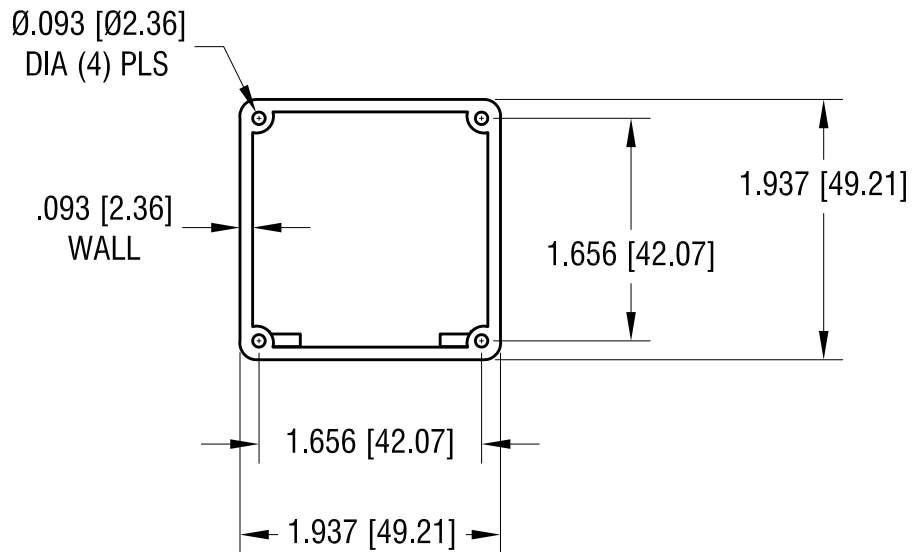
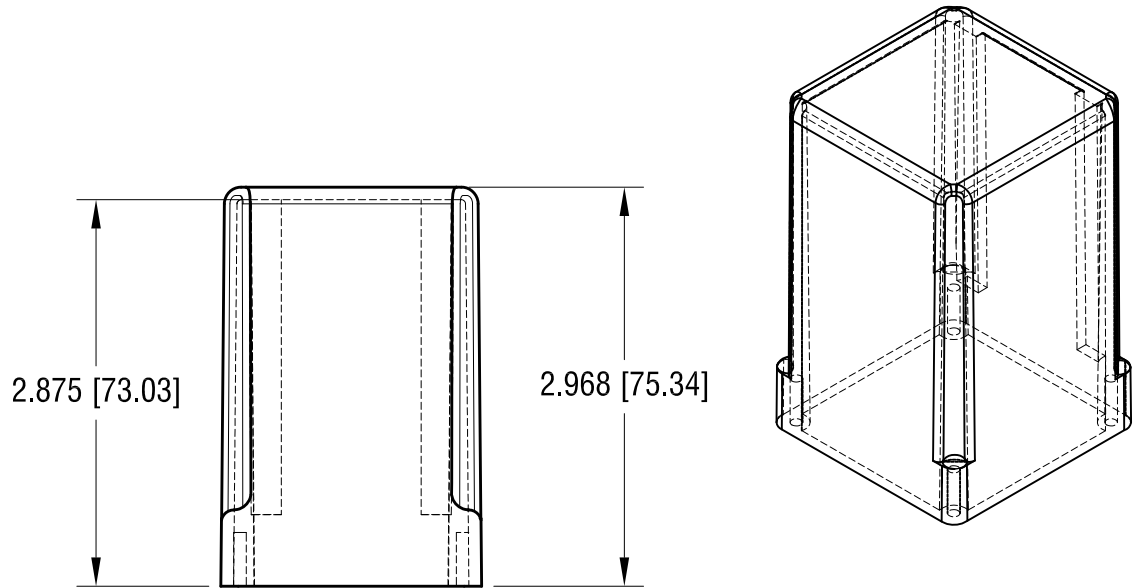


THIS DOCUMENT IS THE PROPERTY OF
KEYSTONE ELECTRONICS CORP. AND
SHALL NOT BE REPRODUCED, DISTRIBUTED
OR USED AS A BASIS FOR MANUFACTURE
WITHOUT PRIOR WRITTEN PERMISSION
FROM KEYSTONE ELECTRONICS CORP.



KEYSTONE ELECTRONICS CORP.

www.keyelco.com • ASTORIA, N.Y. 11105-2017 • Tel (718) 956-8900

PART NAME		HOUSING	
MATERIAL			
POLYSTYRENE (TRANSPARENT CLEAR)			
FINISH		DRN BY	DATE
-		LN	3.5.82
		APP'D	SCALE
		LN	.7X
TOLERANCES	INCH [MM]	CODE	DWG NO.
DECIMAL	± .015 [± 0.38]	C	679
ANGULAR	± 1°		
UNLESS OTHERWISE SPECIFIED			

6.20.12 REDRAWN IN CAD FORMAT

DATE	DESCRIPTION	REV.
------	-------------	------