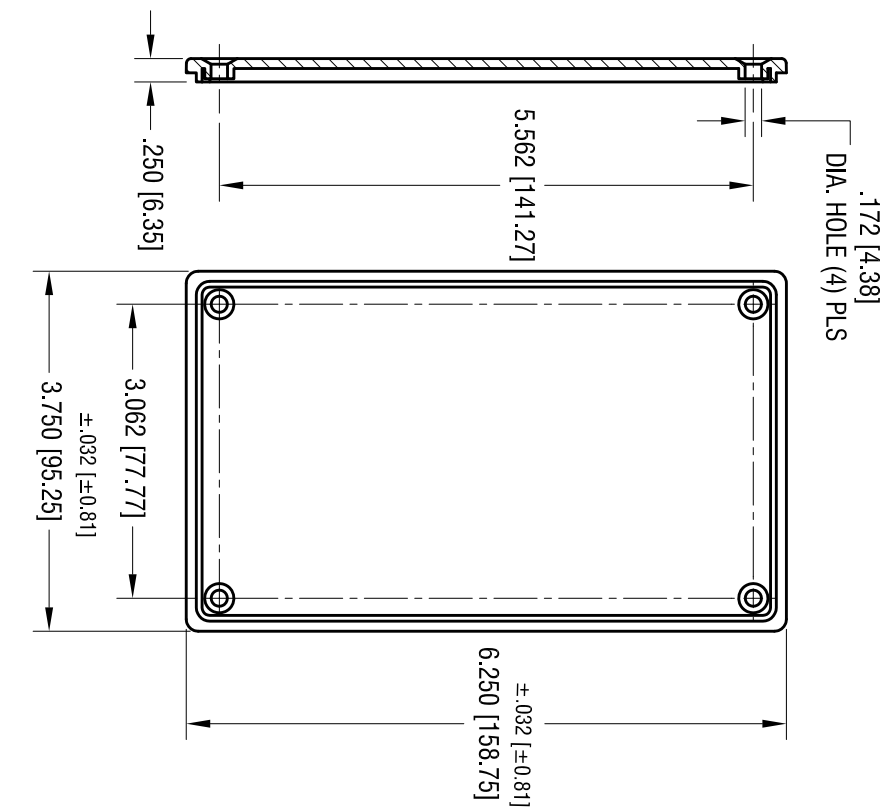
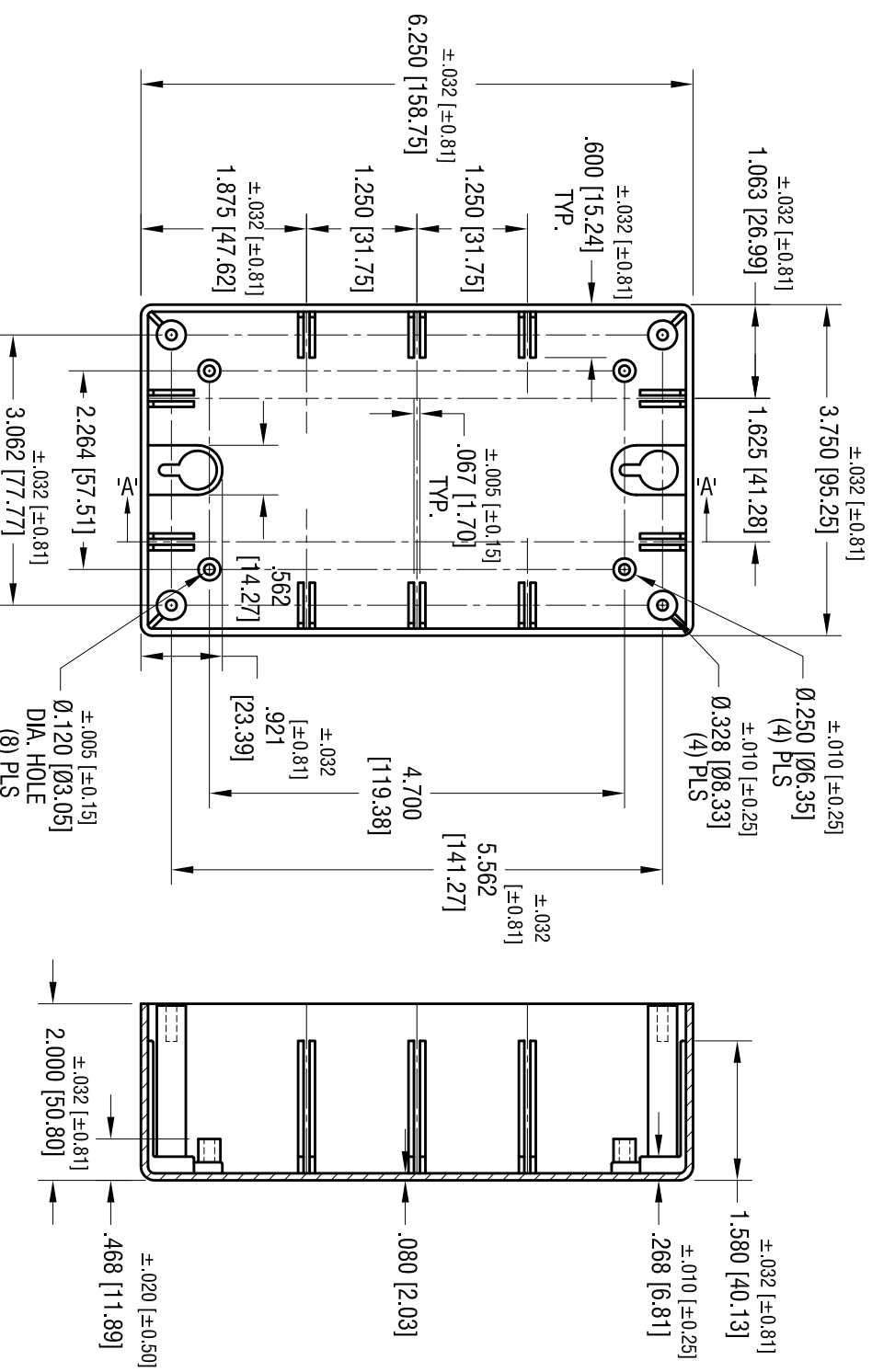


COVER



BOX



DATE	DESCRIPTION	REV.
3.29.10	CHANGE AS PER ECN 10-28 ADD COVER DETAILS	A

KEYSTONE ELECTRONICS CORP.
 www.keyleco.com • ASTORIA, N.Y. 11105-2017 • Tel (718) 956-8900

PART NAME: PLASTIC INSTRUMENT CASE
 MATERIAL: ABS, BLACK

FINISH: -
 TOLERANCES: INCH [MM]
 DECIMAL ± .015 [± 0.38]
 ANGULAR ± 1°
 CODE: C
 DWG NO.: LN

DRN BY: BOONE
 DATE: 2.13.96
 SCALE: .5X

707

NOTE:
 1. CASE SUPPLIED WITH COVER
 AND MOUNTING SCREWS.

THIS DOCUMENT IS THE PROPERTY OF
 KEYSTONE ELECTRONICS CORP. AND
 SHALL NOT BE REPRODUCED, DISTRIBUTED
 OR USED AS A BASIS FOR MANUFACTURE
 WITHOUT PRIOR WRITTEN PERMISSION
 FROM KEYSTONE ELECTRONICS CORP.